



[www.v-p-k.ru](http://www.v-p-k.ru)

+7 (800) 777-83-75  
бесплатный

# Инструкция по эксплуатации Компрессор COMPRAG DV9008

Цены на товар на сайте:

<https://www.v-p-k.ru/vintovye-kompressory-comprag-direct-drive/dv-9008/>

+7 (800) 777-83-75(звонок бесплатный)

[www.v-p-k.ru](http://www.v-p-k.ru)

DV9008

© Comprag ®. All rights reserved.

No part of the text and /or diagram may be reprinted or used without the prior written permission of Comprag.

The manufacturer reserves the right to make changes to a product design in order to enhance its technological and operational parameters without notifying the user.

The product type may considerably differ to that displayed in documents.

# Table of content

## 1. Safety guidelines

- 1.1 Symbols used in the instructions
- 1.2 General safety guidelines
- 1.3 Safety precautions for start-up
- 1.4 Safety precautions during operation
- 1.5 Safety precautions for maintenance and repair

## 2. Technical data and functional description

- 2.1 Technical data
- 2.2 General description
- 2.3 Function diagram and main components
- 2.4 Functional description
- 2.5 Control system
- 2.6 Electrical diagram and main components
- 2.7 Electrical connection values

## 3. Start up

- 3.1 Lifting and carrying
- 3.2 Dimensions
- 3.3 Requirements on installation area
- 3.4 Connection to the compressed airline
- 3.5 Connection to power supply

## 4. Operation

- 4.1 Control panel
- 4.2 Starting the compressor
- 4.3 Switching off the compressor

## 5. Maintenance

- 5.1 Maintenance schedule
- 5.2 Checking oil level
- 5.3 Replacing oil and oil filter
- 5.4 Replacing air filter
- 5.5 Changing air-oil separator
- 5.6 Cleaning radiator
- 5.7 Checking suction valve
- 5.8 Servicing bearings of electric motor

## 6. Fault handling




- 6.1 Faults and corrective actions

## 7. Storage and disposal


- 7.1 Storage conditions
- 7.2 Disposal of oils and process condensate


# 1. Safety guidelines

## 1.1 Symbols used in the instructions.

|                                                                                   |                |
|-----------------------------------------------------------------------------------|----------------|
|  | Lethal hazard. |
|  | Warning.       |
|  | Attention.     |

## 1.2 General safety guidelines.

|                                                                                   |                                                                                                                                                                                                                                                                                                                                                                   |
|-----------------------------------------------------------------------------------|-------------------------------------------------------------------------------------------------------------------------------------------------------------------------------------------------------------------------------------------------------------------------------------------------------------------------------------------------------------------|
|  | Carefully familiarise yourself with the technical documentation, operating instructions and safety guidelines. Most accidents associated with the use of compressor equipment occur as a result of non-compliance with safety guidelines. Prevent hazards from developing and adhere to the safety guidelines. The main rules are given in the following section. |
|-----------------------------------------------------------------------------------|-------------------------------------------------------------------------------------------------------------------------------------------------------------------------------------------------------------------------------------------------------------------------------------------------------------------------------------------------------------------|

|                                                                                     |                                                                                                                                                                                                   |
|-------------------------------------------------------------------------------------|---------------------------------------------------------------------------------------------------------------------------------------------------------------------------------------------------|
|  | The user is solely liable for injuries or damages which occur due to non-compliance with safety guidelines during installation, operation or servicing, as well as unauthorised use of equipment! |
|-------------------------------------------------------------------------------------|---------------------------------------------------------------------------------------------------------------------------------------------------------------------------------------------------|

1. The operator must stringently adhere to safety guidelines provided for by these instructions and local legislation!
2. When choosing between these safety guidelines and the regulations provided for by local legislation, those rules which provide for more stringent requirements shall apply.
3. Only trained maintenance personnel with the relevant level of professional training are permitted to operate, service and repair Comprag equipment.
4. Compressed air flowing immediately from the compressor may contain oil and impurities

and is not suitable for breathing! Compressed air has to be purified to an air purity grade suitable for breathing, in accordance with the standards prescribed by local legislation.

5. Compressed air is an extremely hazardous energy source. Compressed air must not be used for unintended purposes! Do not use it to clean clothing and footwear and never point compressed air hoses at people and animals! When using air to clean equipment, take extra caution and wear safety goggles!
6. All maintenance, repair, setup and installation work etc. must be performed while the equipment is turned off, disconnected from the power source, with compressed-air hoses disconnected from the equipment, and with the use of safety goggles! Ensure that equipment is disconnected from the compressed air system and is not under pressure.


### 1.3 Safety precautions for start-up



The user is solely liable for injuries or damages which occur due to non-compliance with safety guidelines during installation, operation or servicing, as well as unauthorised use of equipment!


1. Equipment must only be unloaded/loaded using the appropriate handling devices or hoisters. Equipment must not be manually lifted or moved. Do not leave equipment suspended. Use a helmet during unloading operations.
2. Arrange the equipment in a dry and clean facility which provides shelter from precipitation. The facility must be well ventilated, and forced ventilation should be provided if necessary.
3. Worn, damaged or spoiled compressed-air hoses should not be used. Ensure that hoses correspond to the equipment in terms of nominal diameter and working pressure.
4. When using several compressor stations in a system, each compressor must have a manually operated valve for cutting off any of the compressors in the case of emergency.
5. Explosive and fire-hazardous admixtures such as solvent vapours and carbon dust etc. must not be released into the atmosphere.
6. Ensure unrestricted access to the compressed-air hose from the compressor. Do not clutter it and do not store flammable materials in its immediate vicinity.
7. Do not pinch or deform the compressed-air feed hoses.
8. Do not cover holes used to provide equipment with air for cooling. Ensure the facility is well ventilated.

9. When using remote control, the equipment must give a legible and clear warning of this: 'ATTENTION: this machine is being controlled remotely and may start operating without warning!' An operator who is remotely controlling equipment must ensure that no installation or other work is being performed with the equipment at that moment. Once the equipment is turned off remotely, the operator must ensure that the equipment is actually turned off!
10. Equipment must be earthed. Provide short-circuit protection. The starting knife switch must be in the immediate vicinity of the equipment and protect against unauthorised start-up.

|                                                                                   |                                                                                                                                                                                                                                                                                                                                                                                                               |
|-----------------------------------------------------------------------------------|---------------------------------------------------------------------------------------------------------------------------------------------------------------------------------------------------------------------------------------------------------------------------------------------------------------------------------------------------------------------------------------------------------------|
|  | <p>The user bears full responsibility for compliance with the operating conditions of the electrical motor installed in the equipment. Equipment must be used with protection devices. The protection devices must protect the electric motor from short circuits, overloading (systematic and start-up) and open-phase conditions. Installation of protection devices is the responsibility of the user.</p> |
|-----------------------------------------------------------------------------------|---------------------------------------------------------------------------------------------------------------------------------------------------------------------------------------------------------------------------------------------------------------------------------------------------------------------------------------------------------------------------------------------------------------|

11. There must be an information plate affixed next to the control panel on equipment with an independent control system featuring an automatic restart function: 'ATTENTION: This machine may start operating without warning!'
12. Any tanks and vessels working under pressure must be fitted with safety-relief valves! Unauthorised installation, disassembly or adjustment of attached safety-relief valves is not allowed.

## 1.4 Safety precautions during operation.

|                                                                                   |                                                                                                                                                                                                          |
|-----------------------------------------------------------------------------------|----------------------------------------------------------------------------------------------------------------------------------------------------------------------------------------------------------|
|  | <p>The user is solely liable for injuries or damages which occur due to non-compliance with safety guidelines during installation, operation or servicing, as well as unauthorised use of equipment!</p> |
|-----------------------------------------------------------------------------------|----------------------------------------------------------------------------------------------------------------------------------------------------------------------------------------------------------|

1. Ensure that hoses correspond to the equipment in terms of nominal diameter and working pressure. Check the attachment of every hose coupling before start-up. An insecurely fastened hose may cause serious injury.
2. Never turn on equipment if you suspect the presence of highly flammable impurities in the air!
3. The operator remotely controlling equipment must ensure that no installation or other work is being performed with the equipment at that moment! An information plate must be affixed to the equipment in relation to this: 'ATTENTION: this machine is being controlled remotely and may start operating without warning!'
4. An operator is not allowed to operate equipment if the operator is fatigued, in a state of intoxication from alcohol, drugs or medicine that reduces the body's reaction time.
5. The equipment must not be operated if parts of the casing hFVe been removed. Doors or panels may be opened for short durations for inspection and scheduled checks. It is advisable to wear hearing protection.



In some types of equipment, open doors or removal of panels during operation may lead to overheating.

6. Personnel in conditions or a facility where the sound pressure level reaches or exceeds 90 dB (A), must wear ear protectors.
7. If the air used for cooling equipment is used while the facility is being heated, undertake measures for it to be filtered so that it is suitable for breathing.
8. Regularly check that:
  - safety devices and attachments are in place;
  - all hoses and pipes are in good condition and sealed;
  - there are no leaks;
  - brackets and structural components are tightened;
  - all electrical cables and contacts are in good condition and safe to use;
  - safety devices are fully functional and there is no contamination etc;
  - all structural components are in working order, with no signs of wear and tear.

## 1.5 Safety precautions for maintenance and repair



The user is solely liable for injuries or damages which occur due to non-compliance with safety guidelines during installation, operation or servicing, as well as unauthorised use of equipment!

1. Only original spare parts and ancillary items may be used. Using spare parts from other manufacturers may lead to unpredictable results and consequently accidents.
2. When performing installation and repair work, always wear goggles!
3. Before connecting or disconnecting equipment, disconnect it from the main pneumatic system. Ensure that the hoses aren't under pressure!
4. Before beginning installation or other work, ensure that equipment is not pressurised. Installation work must not be carried out on equipment under pressure.
5. All maintenance work should be carried out only when the temperature of all structural elements falls to room temperature.
6. Never use highly flammable solvents or carbon tetrachloride for cleaning structural elements. When wiping, take precautions against the poisonous vapours of cleaning fluids.
7. When carrying out installation and repair work, an information plate should be affixed to the control panel to warn against unauthorised start-up. For example, "Do not turn on. Personnel operating!"

8. The operator remotely controlling equipment must ensure that no installation or other work is being performed with the equipment at that moment! An information plate must be affixed to the equipment in relation to this: See 1.3.9.
9. Maintain cleanliness in the facility where the equipment is installed. Close open inlets and outlets during installation with dry clothes or paper to prevent rubbish entering the equipment.
10. Welding or other similar operations must not be carried out in the immediate vicinity of the equipment and vessels under pressure.
11. If there is any suspicion of overheating, combustion or other emergency, turn off the equipment. Immediately disconnect it from the power supply. Do not open the doors of equipment until the temperature falls to room temperature, in order to prevent burns or injury.
12. Naked flames must not be used as a light source for inspecting and checking equipment.
13. Never use caustic solvents, which may damage materials of the pneumatic system
14. After performing installation or other work, ensure that no instruments, rags or spare parts hFVe been left inside the equipment.
15. Pay particular attention to the safety-relief valves. Thoroughly inspect them and remove any dust and dirt. They must not be allowed to suffer any loss in function under any circumstances. Remember that your safety depends on their functionality!
16. Before beginning work in normal mode after maintenance or repair work, check that the working pressure, temperature and other characteristics are correctly set. Ensure that all control devices are installed and functioning properly.
17. When replacing filters, separators etc., wipe away dust, dirt and oil residue from the area where they are installed with a dry cloth.
18. Protect the motor, air filter, electrical components and control components etc. from coming into contact with condensate. For instance, blow down with dry air.
19. Use protective gloves during installation and repair work in order to FVoid burns and injury (for instance, during oil change).



## 2. Technical data and functional description



Entitlement to free handling of faults arising during the guarantee period is forfeited when:

- No warranty service coupon for the compressor or it is filled out incorrectly
- No records for the compressor's scheduled maintenance are entered in the compressor's service book
- Unoriginal parts and lubricants are used

### 2.1 Technical data

| Article  | Model  | Drive power, compressor (kW) | Max. operating pressure (bar) | Output (m <sup>3</sup> /min) | Rated voltage, compressor (phase/V/Hz) | Noise (dB) | Screw connection | Oil capacity, liter |
|----------|--------|------------------------------|-------------------------------|------------------------------|----------------------------------------|------------|------------------|---------------------|
| 11300105 | DV7508 | 75                           | 5-8                           | 12,80                        | 3/380/50                               | 75         | DN 50            | 40                  |
| 11300106 | DV7510 |                              | 5-10                          | 11,30                        |                                        | 75         |                  |                     |
| 11300115 | DV9008 | 90                           | 5-8                           | 15,40                        |                                        | 75         |                  |                     |
| 11300116 | DV9010 |                              | 5-10                          | 13,40                        |                                        | 75         |                  |                     |

### 2.2 General description

The DV-Series oil-filled screw compressor series is designed for uninterrupted and efficient compressed-air production.

The DV-Series compressor is an electric motor-operated, intake-regulated, belt-driven and air-cooled compressor, enclosed in a sound-insulated canopy. An electronic controller v-Log with an LCD indicator panel is provided, including start and stop buttons and an emergency stop button. Pressure and temperature relays are used for system control and protection.

## 2.3 Function diagram and main components

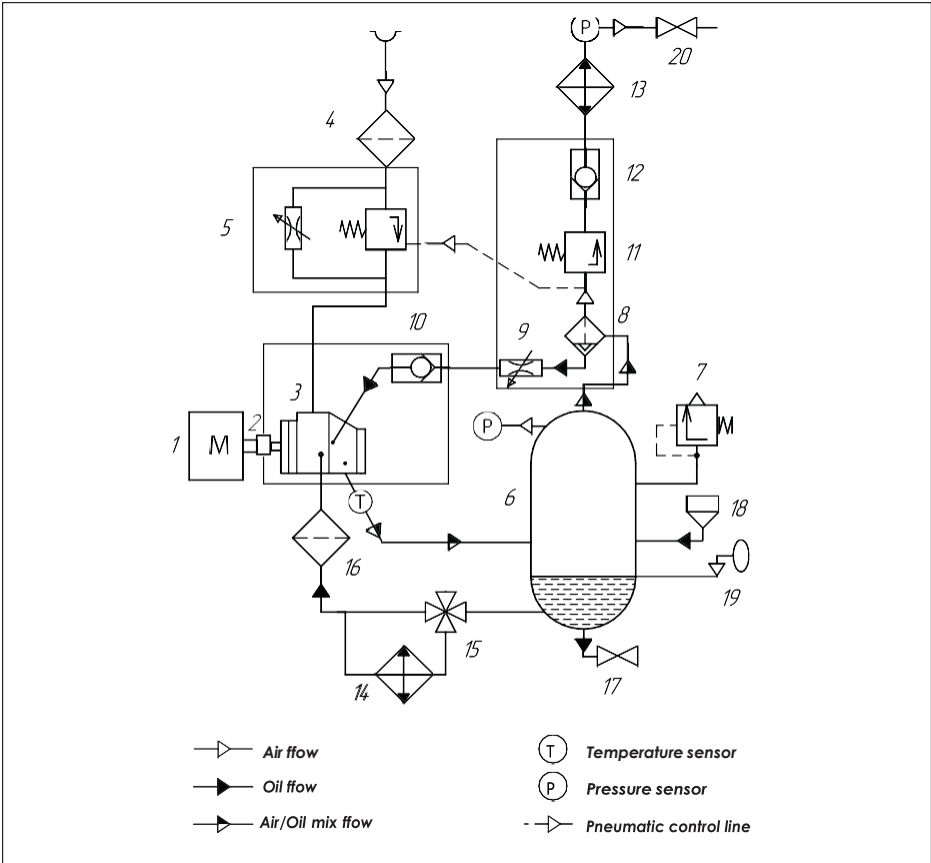


Fig. 2.3 Function diagram DV75-90

### Main components

|    |                         |    |                             |
|----|-------------------------|----|-----------------------------|
| 1  | Electric motor          | 11 | Min. Pressure valve         |
| 2  | Flexible coupling       | 12 | Non-return valve            |
| 3  | Air end                 | 13 | Heat-exchanger, Air section |
| 4  | Air filter              | 14 | Heat-exchanger, Oil section |
| 5  | Intake valve            | 15 | Thermostatic valve          |
| 6  | Air-Oil separation tank | 16 | Oil filter                  |
| 7  | Safety valve            | 17 | Drain valve                 |
| 8  | Air-Oil separator       | 18 | Oil filling plug            |
| 9  | Throttle valve          | 19 | Oil level sight glass       |
| 10 | Non-return valve        | 20 | Air outlet valve            |

## 2.4 Functional description (see Fig. 2.3)

### Air flow:

Air drawn through Air filter (4) and open Intake valve (5) into compressor Air-end (3) is compressed. Compressed air and oil flow into Air-Oil separation tank (6). The air is discharged via Min. Pressure valve (11) through Heat-exchanger (13) towards the Air Outlet Valve (20).

### Oil flow:

Air pressure forces oil from the air-oil separation tank (6) through the heat-exchanger (14) and the oil filter (16) to the compressor air-end (3) and the lubrication points. In the air-oil separation tank (6), most of the oil is removed centrifugally; the rest is removed by the air-oil separator (8). The oil system is fitted with a thermostatic valve (15). When the oil temperature is below the set-point of the thermostatic valve, the thermostatic valve shuts off the oil supply from oil heat-exchanger (14). The thermostatic valve starts opening the supply from heat-exchanger (14) when the oil temperature exceeds the valve's setting. The setting of the thermostatic valve depends on the model. See table Technical Data.

### Cooling system:

The cooling system comprises a combined air section (13) and an oil section (14) heat-exchanger. A cooling fan, equipped with a separate electric motor, generates the cooling air in order to cool the heat-exchanger.

## 2.5 Control system

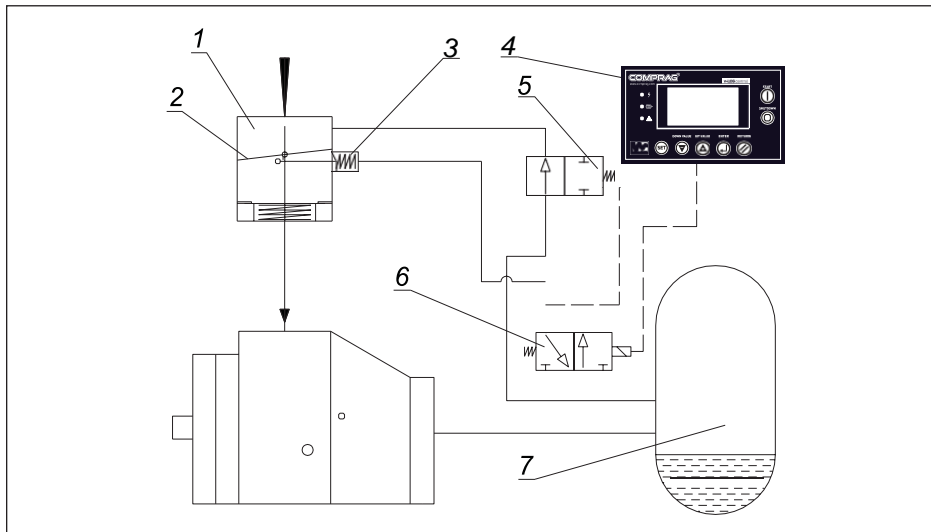


Fig. 2.5 Control system

The compressor is provided with a controller (2) to control parameters, which in automatic mode tracks consumer air consumption.

### **Main operating mode:**

Upon start-up, the frequency inverter accelerates the compressor over 15 seconds to the maximum permitted frequency. Pressure builds up to the specified target value. When it is reached, the compressor maintains the set pressure by varying the current signal coming from the frequency inverter. If the consumption of compressed air increases, the frequency coming from the frequency inverter also increases and thus the rotation of the main motor shaft. If the consumption of compressed air decreases, the frequency coming from the frequency inverter also decreases. However, the compressed-air pressure remains constant. When the off button is pressed, the frequency inverter lowers the frequency over 15 seconds to the minimum permitted frequency and switches off the compressor.

### **Unloading:**

When air consumption by the consumer is lower than the lowest possible compressor output, the pneumatic system pressure reaches the specified maximum. The solenoid valve is not energised, and it opens.

1. Pressure is fed to the throttle (5) of the suction valve (1), and the throttle is closed. Air intake ceases.
2. The discharge valve (7) opens and releases the internal pressure, unloading the system and the separator tank (4).
3. The system pressure stabilises, no air is consumed and the compressor switches to standby mode: the motor does not switch off.

The standby mode time before shutdown or turning on of the compressor can be set on the controller according to consumption requirements.

### **Loading:**

As air consumption increases, the pneumatic system pressure falls to the minimum set threshold, and the solenoid valve (3) is energised and closes. Pressurised air to the throttle (5) ceases and the throttle closes. The discharge valve (7) closes. Air enters the air end (6). The compressor switches to loading mode.

## 2.6 Electrical diagram and main components

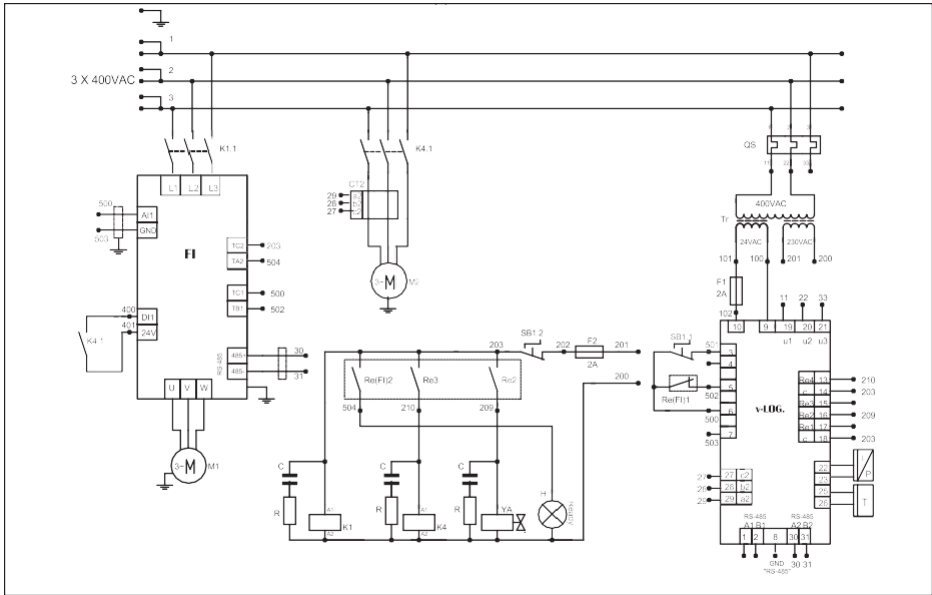


Fig. 2.6 Electrical diagram DV75-90

### Main components

|        |                    |       |                        |
|--------|--------------------|-------|------------------------|
| K1--K4 | Contactor          | YA    | Solenoid valve         |
| M1, M2 | Electric motor     | QS    | Automatic power switch |
| T      | Temperature sensor | CT2   | Transformer            |
| I/P    | Pressure sensor    | R,C   | RC filter              |
| SB     | Emergency stop     | Tr    | Transformer            |
| F1, F2 | Fuses              | v-LOG | Controller             |
| FI     | Frequency inverter | H     | Indicator              |

## 2.7 Electrical connection values

| Voltage (V)                                      | Frequency (Hz) | DV75.. | DV90.. |
|--------------------------------------------------|----------------|--------|--------|
| Material - copper. Cable size (mm <sup>2</sup> ) |                |        |        |
| 380 / 400                                        | 50             | 70     | 95     |
| Fuse value (A)                                   |                |        |        |
| 380 / 400                                        | 50             | 160    | 200    |

# 3. Start up

## 3.1 Lifting and carrying



All lifting should be carried out using a forklift truck with a carrying capacity suited to the compressor. Lifting may be carried out with loading cranes, winches and other machinery, using a crossbeam with the right length. Local safety guidelines for lifting hFVe to be observed.

For transport with a forklift truck, use the rigging holes in the frame. The compressor has slotted rigging holes with width C – fig. 3.1. Move the compressor carefully.

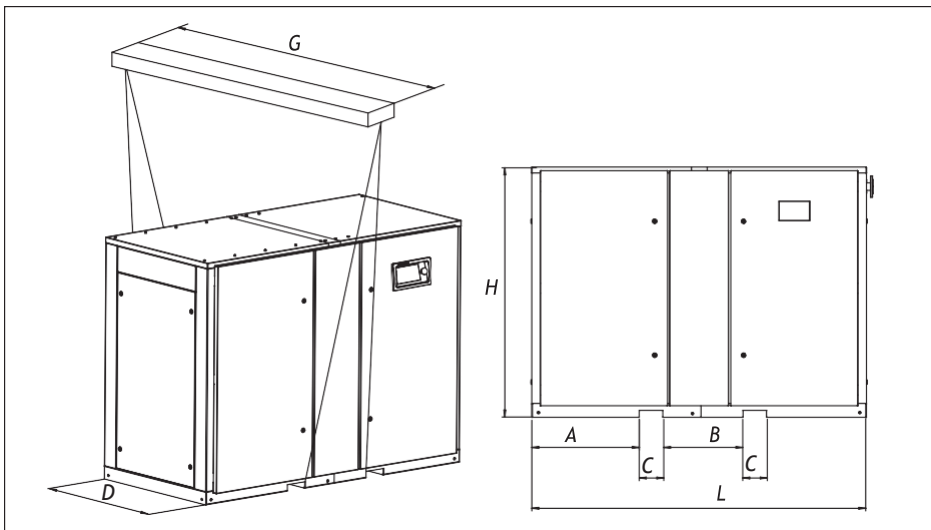


Fig. 3.1 Lifting and carrying DV75-90.

| A, mm | B, mm | C, mm | L, mm | H, mm | D, mm | G, mm |
|-------|-------|-------|-------|-------|-------|-------|
| 802   | 600   | 176   | 2550  | 1880  | 1260  | 1400  |

## 3.2 Dimensions

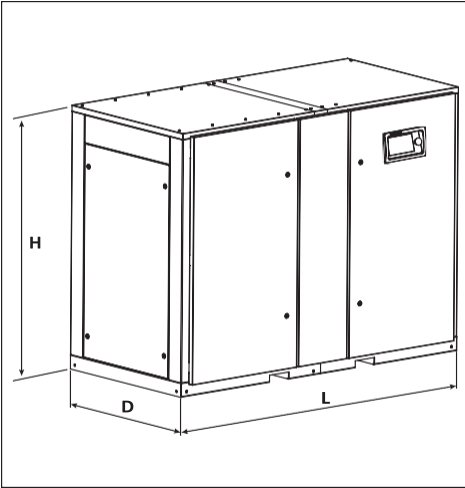


Fig. 3.2 Dimension drawing DV75 – 90.

| Model                | Compressor dimensions |                |                 |               |
|----------------------|-----------------------|----------------|-----------------|---------------|
|                      | Length<br>L, mm       | Width<br>D, mm | Height<br>H, mm | Weight,<br>kg |
| DV75                 | 2550                  | 1260           | 1880            | 2200          |
| DV90                 |                       |                |                 | 2370          |
| Packaging dimensions |                       |                |                 |               |
| DV75                 | 2760                  | 1360           | 2010            | 2285          |
| DV90                 |                       |                |                 | 2455          |

## 3.3 Requirements on installation facility

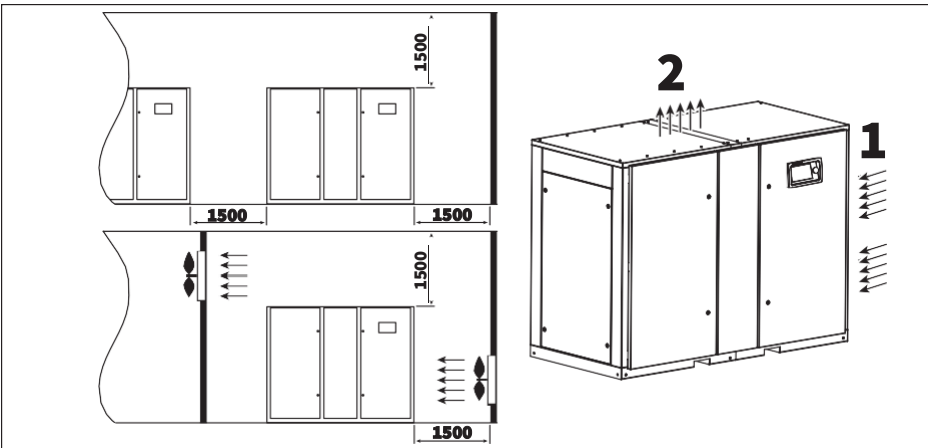


Fig. 3.3 Installation facility proposal DV75 – 90.

1. Air inflow
2. Air outflow

Ensure that the floor of the facility can withstand the weight of the compressor. Install the compressor on a level surface that is able to bear its weight. Adjust the horizontal axis of the compressor using a levelling instrument. If the compressor is not anchored to the base on which it is installed, the tilt angle with respect to the horizontal surface must not exceed 3°.

If the compressor is anchored to the base on which it is installed, the tilt angle with respect to the horizontal surface must not exceed 7°. Install the compressor in a facility where precipitation cannot reach. Choose a facility for installing the compressor with a minimum level of dust. Install the compressor at least 1,5 m from walls.

If multiple compressors are installed, there should be a 1,5 m minimum distance between each compressor. There should be a 4 m safety distance from the area of the operated equipment connected to the compressor. The facility in which the compressor is installed must be fitted with a combined extract-and-input ventilation system.



The facility where the compressor is installed should be provided with air inflow equivalent to twice the compressor's capacity.

The volume of extraction ventilation must not exceed 40% of the air inflow capacity of the input ventilation in a facility where the compressor is installed and fitted with an extract- and input ventilation system.

The compressor should not be installed in a facility where the temperature may drop below +5°C. In order to extract hot air flowing out the compressor, an air duct may be used that is up to 3 m in length and with a cross section 20% larger than that of the air-outflow orifice from the compressor's radiator. If an air duct longer than 3 m is used, additional duct fans should be used.

### **3.4 Connection to the compressed airline**

Provide the throughput capacity of the compressed-air line in accordance with the performance of the compressor. In order to FVoid damage associated with seal failure of the compressed-air line, the compressor should be connected via a flexible hose. All components of the compressed-air line must hFVe a working pressure no less than the compressor's nominal pressure. Use a pressure vessel with a capacity corresponding to the compressor's performance and the compressed air consumer.

### **3.5 Connecting to power supply**

The compressor is not supplied with a power cable. The cable size must be chosen to ensure that the maximum voltage drop not exceed 5 % of the nominal voltage value. Cable length must not exceed 25 m. Ambient temperature in the facility must not exceed 40°C. The cable must be sheathed with a fire retardant compound. An isolating switch must be fitted within reach of the compressor to facilitate connection and maintenance.





The compressor must be earthed and protected against short circuits in each phase, impermissible voltage fluctuation and phase failure.

The power cable has to be fed into the compressor.

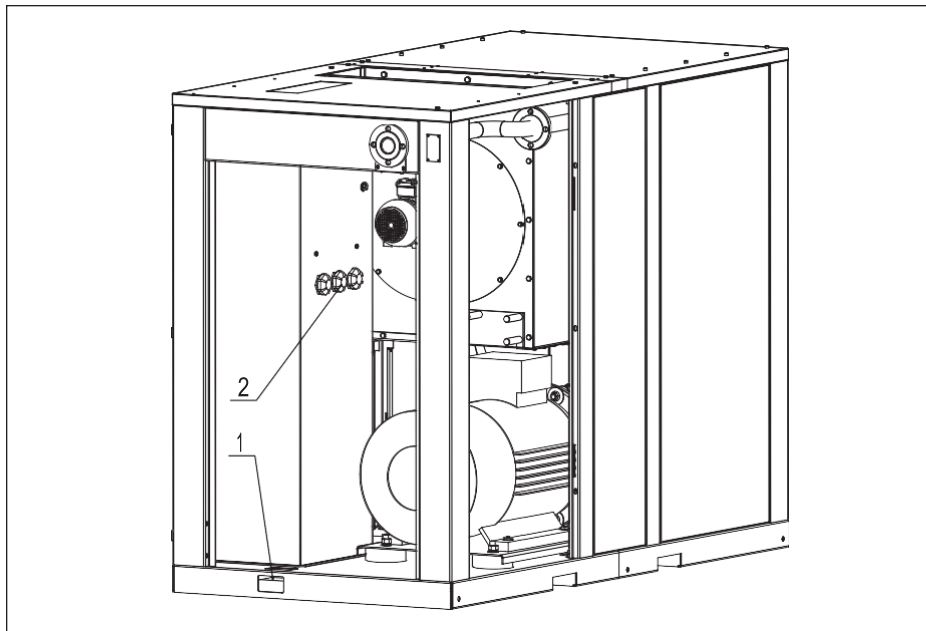


Fig. 3.5 Power cable connection

Remove the right side panel, pass the cable under the compressor into the orifice (1) and cable gland (2).

The earth wire of the power cable must be connected to the corresponding earthing bolt.

## 4. Operation



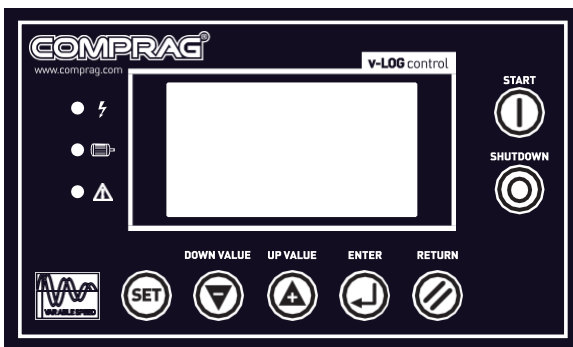
Non-qualified personnel must not be allowed to operate the compressor.

### 4.1 Control panel

The frequency-controlled compressors DV30 and DV90 are equipped with an electronic v-Log control. The electronic v-Log control maintains the network pressure between the programmable limit values by automatically adjusting the compressor speed. Operating data such as operating times and system statuses are also recorded.

#### 4.1.1 v-Log control panel

Fig. 4.1.1 v-Log control panel



|  |                                                                |  |                      |
|--|----------------------------------------------------------------|--|----------------------|
|  | Start compressor                                               |  | Up or increase value |
|  | Stop compressor                                                |  | Down or reduce value |
|  | Back to the main menu                                          |  | Save setting         |
|  | Accept value / manually switch between loaded and idle running |  |                      |

#### 4.1.2 LCD Indicator

|  |                                                                                                                                                                                                                                                                                                                                                                                                                    |
|--|--------------------------------------------------------------------------------------------------------------------------------------------------------------------------------------------------------------------------------------------------------------------------------------------------------------------------------------------------------------------------------------------------------------------|
|  | <b>Power Indicator (red):</b> The indicator lights up when the control is switched on and the power supply is connected.                                                                                                                                                                                                                                                                                           |
|  | <b>Power Indicator (green):</b> The indicator lights up when the motor is running.                                                                                                                                                                                                                                                                                                                                 |
|  | <b>Alarm/error Indicator (red). Alarm (warning):</b> The indicator flashes and the machine continues to run. <b>Error:</b> The indicator is permanently lit, there is an accompanying acoustic signal and the machine switches off. The error message can be acknowledged after the cause of the error has been resolved. In order to acknowledge the error message, press and hold the 'back to main menu' button |


## LED Indicators.

When switched on, the LCD display shows the following:

|                                 |
|---------------------------------|
| COMPRAG SCREW<br>AIR COMPRESSOR |
|---------------------------------|




The main parameters of the compressor are displayed after 5 seconds:

|        |        |                                                      |                                             |
|--------|--------|------------------------------------------------------|---------------------------------------------|
| 21 °C  | 0.00HZ | Oil/air mixture temperature at the compressor outlet | Current motor frequency                     |
| 0.0BAR | ORPM   | Pressure at the compressor outlet                    | Current motor speed                         |
| STOP   |        | Operating status of the compressor                   |                                             |
| 0.00V  | 0.0kW  | Current mains voltage                                | Current power consumption of the compressor |

Main menu: Click  in order to bring up the options menu:

|                |                                                                                                        |
|----------------|--------------------------------------------------------------------------------------------------------|
| RUN PARAMETERS | Includes current values (available for viewing)                                                        |
| USAGE PARAM    | Includes operating settings of the main parameters (available for viewing, changes password-protected) |
| FACTORY PARAM  | For servicing mode (view with password). Modification only possible by manufacturer                    |

## Description of the parameters. Run parameters:

Select the run parameters using the up  and down  buttons and enter . Current values are displayed.

|                                                                     |
|---------------------------------------------------------------------|
| FAN, VSD PARAM<br>TOTAL RUN TIME<br>THIS RUN TIME<br>MAINTEN. PARAM |
| ERRORS HISTORY<br>MFD, SERIAL NO<br>THIS ERROR<br>DESCRIPTION       |

Run parameters. Select the run parameters using the up  and down  buttons and enter .

FAN, VSD PARAM

|                                                         |                                                 |
|---------------------------------------------------------|-------------------------------------------------|
| FREQUENCY 50.0 Hz<br>VOLTAGE 400V<br>CURRENT:<br>POWER: | At the output of the frequency inverter.        |
| FAN CURRENT (A)<br>A: 0.0<br>B: 0.0<br>C: 0.0           | Current consumption of all 3 phases of the fan. |

TOTAL RUN TIME

|                  |                                                   |
|------------------|---------------------------------------------------|
| TOTAL RUN TIME:  | Total operating hours (loaded and idle run time). |
| TOTAL LOAD TIME: | Total load hours.                                 |

THIS RUN TIME

|                 |                                                                    |
|-----------------|--------------------------------------------------------------------|
| THIS RUN TIME:  | Operating hours since last switched on (loaded and idle run time). |
| THIS LOAD TIME: | Load hours since last switched on.                                 |

MAINTEN. PARAM — maintenance hours counter

|                   |                                                     |
|-------------------|-----------------------------------------------------|
| TIME IN USAGE, h  |                                                     |
| OIL FILTER: 0000H | Operating time since last oil filter change.        |
| SEPARATOR: 0000H  | Operating time since last separator change.         |
| AIR FILTER: 0000H | Operating time since last air filter change.        |
| OIL: 0000H        | Operating time since last oil change.               |
| GREASE M1: 0000H  | Operating time since last lubrication of the motor. |
| BELTS: 0000H      | Operating time since last belt change.              |

ERRORS HISTORY

|                |                            |
|----------------|----------------------------|
| Errors history | The last 5 error messages. |
|----------------|----------------------------|

MFD, SERIAL NO

|                 |                                                          |
|-----------------|----------------------------------------------------------|
| Serial number:  | Serial number and data of manufacture of the compressor. |
| Manufact. date: |                                                          |

THIS ERROR — current error message

|                    |            |
|--------------------|------------|
| This error message | No errors. |
|--------------------|------------|

DESCRIPTION — software version, internal information

|                            |
|----------------------------|
| VER: Version               |
| PASS: internal information |
| Software code              |

If there is no activity for 60 seconds in the current menu, the control will automatically return to the main menu.

**Description of the parameters. Usage parameters:**

The contents of this menu item can be displayed, but modifications are password-protected. Modifications may only be carried out by trained and qualified personnel.

Select the usage parameters using the up  and down  buttons and enter .

|                |
|----------------|
| SET P, T, FREQ |
| SET TIME       |
| OPERATION MODE |
| SEQ PARAM SET  |
| RST MAINT TIME |
| MAX RUN TIME   |
| USER PASS:     |
| LANG.          |

SET P, T, FREQ – set pressure and temperature

(Below are the example set values for the compressor with the max. 8-bar operating pressure).

|             |           |                                                                             |
|-------------|-----------|-----------------------------------------------------------------------------|
| P LOAD      | 05.2 BAR  | If the compressor is ready, it switches at this pressure to loaded running. |
| P ULD       | 08.00 BAR | At this pressure the compressor switches to idle running.                   |
| FREQ P      | 007.0 BAR | Set pressure of the frequency inverter.                                     |
| T FAN       | 0095 °C   | Switch-on temperature of the fan.                                           |
| T FAN STOP  | 0060 °C   | Switch-off temperature of the fan.                                          |
| RAT. POWER  | 75.0kW    | Rated power of the electric motor.                                          |
| RATED SPEED | 2940RPM   | Rated speed of the electric motor.                                          |

#### SET TIME

|              |       |                                                                                 |
|--------------|-------|---------------------------------------------------------------------------------|
| FAN DELAY:   | 0002S | Delay in overloading fan.                                                       |
| LOAD DELAY:  | 0002S | Delay in load run (suction valve open).                                         |
| IDLE DELAY:  | 0300S | Idle run time. Suction valve closed, and main motor running.                    |
| STOP DELAY:  | 0005S | Switch-off delay with off button. Suction valve closed, and main motor running. |
| START DELAY: | 0040S | Delay in restart. Drop in system pressure.                                      |
| SPEED INCR:  | 0625  | PID setting for the maximum speed increase.                                     |
| SPEED DECR:  | 0625  | PID setting for maximum speed reduction.                                        |

#### Operational mode

|                  |                                                         |
|------------------|---------------------------------------------------------|
| RUN REMOTE/LOCAL | Switch on by remote control or locally via the control. |
| LOAD AUTO/MANUAL | Loaded running/idle running automatically or manually.  |
| COM: PC/BAN/GRP  | Communication mode: PC / MODBUS / group.                |
| COM ADDRESS: 001 | Communication port, network address.                    |

SEQ PARAM SET – group parameters

|                  |                                                        |
|------------------|--------------------------------------------------------|
| GRP MST/FOLLOWER | Options: master / follower (slave).                    |
| GRP MODE V-V/V-F | Options: individual operation / group.                 |
| GRP NUMBER 0002  | Number of the compressor within the group.             |
| GRP SWITCH 0099H |                                                        |
| GRP LD 05.2 BAR  | Group load pressure.                                   |
| GRP ULD 08.0 BAR | Group idle run pressure.                               |
| GRP DELAY 0020s  | Group delay, wait time until next compressor switches. |

RST MAINT TIME – resetting of the maintenance hours counter

|                  |                                                       |
|------------------|-------------------------------------------------------|
| OIL FILTER 0000H | Oil filter maintenance. Set to 0 after maintenance.   |
| SEPARATOR 0000H  | Separator maintenance. Set to 0 after maintenance.    |
| AIR FILTER 0000H | Air filter maintenance. Set to 0 after maintenance.   |
| OIL 0000H        | Oil. Set to 0 after changing.                         |
| GREASE M1 0000H  | Lubricate motor bearings. Set to 0 after maintenance. |
| BELTS 0000H      | Change belts. Set to 0 after maintenance.             |

MAX RUN TIME – set maintenance intervals.

|                  |                                                     |
|------------------|-----------------------------------------------------|
| OIL FILTER 0500H | Oil filter maintenance. Set maintenance interval.   |
| SEPARATOR 4000H  | Separator maintenance. Set maintenance interval.    |
| AIR FILTER 2000H | Air filter maintenance. Set maintenance interval.   |
| OIL 0500H        | Oil. Set change interval.                           |
| GREASE M1 4000H  | Lubricate motor bearings. Set maintenance interval. |
| BELTS 4000H      | Change belts. Set to 0 after maintenance.           |

USER PASS – user password

|                |                        |
|----------------|------------------------|
| ENTER PASSWORD | ****                   |
|                | No access to parameter |

LANG. – language

|          |             |
|----------|-------------|
| LANGUAGE | ..... EN/DE |
|----------|-------------|

If there is no activity for 60 seconds in the current menu, the control will automatically return to the main menu.

### 4.1.3 Error description

**Alarm (warning):** The indicator flashes and the machine continues to run.

**Error:** The indicator is permanently lit, there is an accompanying acoustic signal and the machine switches off.

The error message can be acknowledged after the cause of the error has been resolved. In order to acknowledge the error message, press and hold the 'back to main menu' button.

#### **Alarm (warning, compressor continues to run)**

|                  |                                                            |
|------------------|------------------------------------------------------------|
| ALARM: OIL FILT  | Maintenance interval exceeded.                             |
| ALARM: SEPARATOR | Maintenance interval exceeded.                             |
| ALARM: AIR FIL   | Maintenance interval exceeded.                             |
| ALARM: OIL CHANG | Maintenance interval exceeded.                             |
| ALARM: GREASE M1 | Maintenance interval exceeded.                             |
| ALARM: BELTS     | Maintenance interval exceeded.                             |
| ALARM: T         | Oil/air mixture temperature at the compressor outlet high. |
| ALARM: EXT. WARN | Contact can be external, e.g. refrigeration dryer error.   |

Alarms for maintenance are triggered at the set time before maintenance. The alarm message is displayed intermittently and repeatedly in the case of an overrun maintenance interval.

#### **Error messages (compressor stops or does not start)**

| ERROR STOP              | — indicator                                                                                                                      |
|-------------------------|----------------------------------------------------------------------------------------------------------------------------------|
| STOP T 0110 °C          | Oil/air mixture temperature at the compressor outlet exceeded.                                                                   |
| STOP: P HIGH --. bar    | Max. permissible working pressure of the compressor exceeded.                                                                    |
| STOP: P SENSOR FAULT    | Pressure sensor error.                                                                                                           |
| STOP: T SENSOR FAULT    | Temperature sensor error.                                                                                                        |
| STOP: LOW AMBIENT TEMP  | Drop below temperature (oil temperature below 5 °C).                                                                             |
| STOP: FAN OVERLD **, *A | Fan motor M2, permissible current consumption exceeded.                                                                          |
| STOP: PH. ERR. 1        | Motor M1 phase error.                                                                                                            |
| STOP: PH. ERR. 2        | Fan motor M2 phase error.                                                                                                        |
| STOP: EMERGENCY STOP    | Emergency stop pressed.                                                                                                          |
| STOP: VSD FAULT         | Frequency inverter error. Contact manufacturer and rectify error. First acknowledge the error message in the frequency inverter. |


#### **Frequency Invertor Error Codes**

Most common occurring error codes may be shown on the inverter display.

| ERROR CODE | Description                                |
|------------|--------------------------------------------|
| Err.1      | Over-current event during other conditions |
| Err.2      | Over-current event during acceleration     |
| Err.3      | Over-current event during deceleration     |
| Err.4      | Over-current event while at constant speed |
| Err.5      | Over voltage event during acceleration     |
| Err.6      | Over voltage event during deceleration     |
| Err.7      | Over voltage event while at constant speed |
| Err.8      | Control circuit error                      |
| Err.9      | Under-voltage error                        |
| Err.10     | Inverter overload protection               |
| Err.11     | Motor overload protection                  |
| Err.12     | Input phase loss protection                |
| Err.13     | Output phase loss protection               |
| Err.14     | Inverter thermal trip                      |
| Err.15     | External trip                              |
| Err.16     | Communications error ModBus                |
| Err.18     | Current detection error                    |
| Err.23     | Ground fault                               |
| Err.40     | Cyclic current excess                      |
| Err.51     | Incorrect motor parameters                 |

By any error in frequency inverter, a general error message VSD FAULT on the compressor controller will be shown. When compressors stops and an error message VSD FAULT on the compressor controller occurs- firstly reset fault on the inverter, secondary reset fault on the compressor controller. After both resets are done, start compressor again. If error reoccurs after reset, please contact a professional service partner.

The last 5 error messages are retained in the memory.

|                                                                                     |                                                                                          |
|-------------------------------------------------------------------------------------|------------------------------------------------------------------------------------------|
|  | <p>Restarting operation without eliminating the cause of the fault is not permitted!</p> |
|-------------------------------------------------------------------------------------|------------------------------------------------------------------------------------------|




## 4.2 Starting the compressor



Before starting check oil level at sight glass on the Air-Oil separation tank.

Switch on the voltage.

Open the air outlet valve.

Press button  "Start" on the control panel.

The compressor starts running in an automatic operation mode, controlled by the v-Log electronic controller.

## 4.3 Switching off the compressor



To stop the compressor in the case of emergency, press the emergency stop button on the control panel.

After remedying the fault, unlock the button by pulling it out before restarting.

After emergency shutdown of the compressor, it can only be restarted again no sooner than 10 minutes later.

Press button  "Shutdown" on the control panel.

The compressor stops. LCD display is switched off.

Close the air outlet valve.

Switch off the voltage.

# 5. Maintenance

## 5.1 Maintenance schedule

Maintenance schedule

|                            | Daily            | Monthly  | Yearly    | Interval in work hours |         |         |         |
|----------------------------|------------------|----------|-----------|------------------------|---------|---------|---------|
|                            |                  |          |           | M-1                    | M-2     | M-3     | M-2     |
|                            |                  |          |           | 500                    | 2000    | 4000    | 6000    |
| Oil level                  | Check/<br>Refill |          |           |                        |         |         |         |
| Compressor oil             |                  |          |           | Replace                | Replace | Replace | Replace |
| Air filter                 |                  | Cleaning |           |                        | Replace | Replace | Replace |
| Oil filter                 |                  |          |           | Replace                | Replace | Replace | Replace |
| Air-Oil Separator          |                  |          |           |                        |         | Replace |         |
| Drive belt                 |                  | Check    |           |                        |         | Replace |         |
| Heat exchanger             |                  | Cleaning |           |                        |         |         |         |
| Bearings of electric motor |                  |          | Lubricate |                        |         |         |         |
| Intake valve               |                  |          | Check     |                        |         |         |         |
| Minimum pressure valve     |                  |          | Check     |                        |         |         |         |
| Safety valve               |                  |          | Check     |                        |         |         |         |

Beyond 6000 working hours, compressor maintenance consists in alternating M-2 and M-3 every 2000 hours of running time. Performance of daily, weekly, monthly and annual servicing does not annul the need for maintenance in terms of operating hours.

## 5.2 Checking oil level

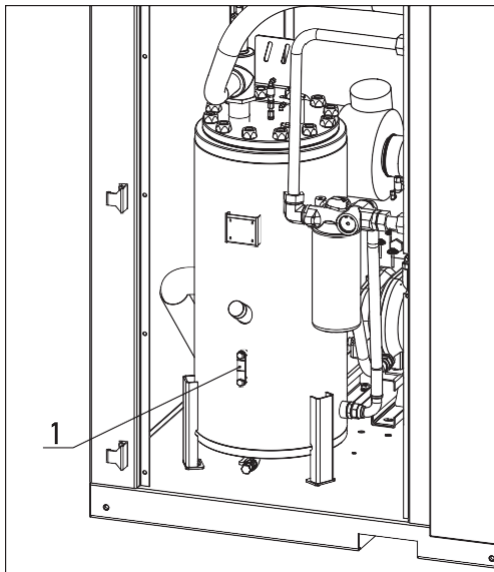


Fig. 5.2 Checking oil level

Check oil level on a daily basis. In order to access the oil level, stop the compressor and remove the front side panel. The oil level in the compressor should be checked visually with the oil level glass (1) when the compressor has stopped. The surface of the oil must always be visible in the sight glass. If no oil is visible in the sight glass, the oil level is low and needs to be topped up. Using belt tension gauge, check the tensile force of the compressor belts.

## 5.3 Replacing oil and oil filter

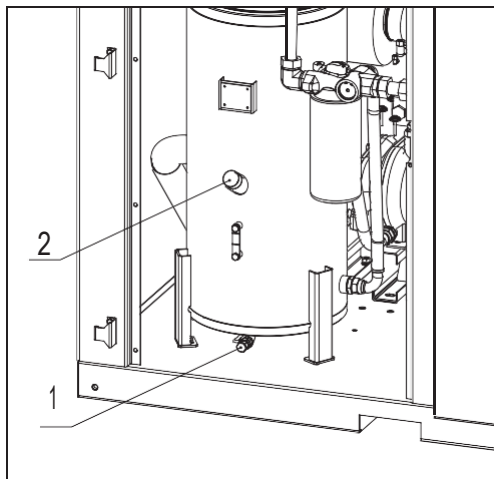


Fig. 5.3.1 Oil replacing

Open the left panel and turn the fill plug (2) one revolution in order vent system pressure. Remove the fill plug. Remove plug from the drain valve (1) at the bottom of the Air-Oil separation tank. Drain the oil into a dedicated vessel from the separator tank after opening the drain valve.

Fill the Air-Oil separation tank with oil until it is level with the middle of the sight glass. Refit and tighten the drain valve plug and the fill plug.

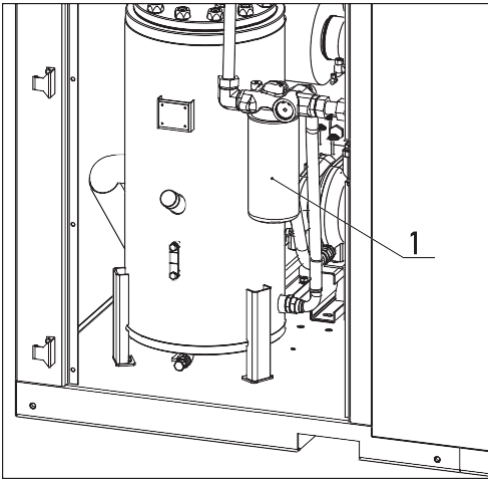


Fig. 5.3.2 Oil Filter replacing

Open the left side panel. Remove the oil filter (1) using a special Oil Filter Wrench. Drain the oil from the filter into a dedicated vessel and clean the filter seat.

Oil the gasket of the new oil filter and screw it into place. Only tighten oil filter by hand. Start up the compressor.

Stop the compressor and let it run idly for several minutes in order for the oil to circulate and air to be extracted from the oil system. Wait several minutes until the oil settles and the inner pressure drops.

If necessary, unscrew the fill plug and add oil until it is level with the middle of the sight glass.

Place the fill plug into its initial position and tighten it.

## 5.4 Replacing air filter

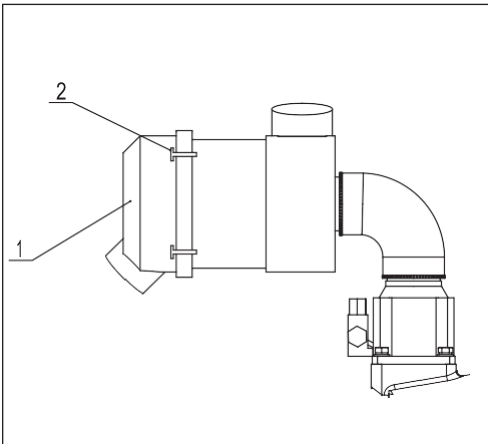


Fig. 54 Air filter replacing

The air filter (1) is attached to the compressor's intake valve. In order to replace it, open the front side panel, loosen the clamp (2) securing the filter. Remove the contaminated filter, and detach the clamp from it. Set the new filter in its place and fit into place with the clamp.

## 5.5 Changing air-oil separator

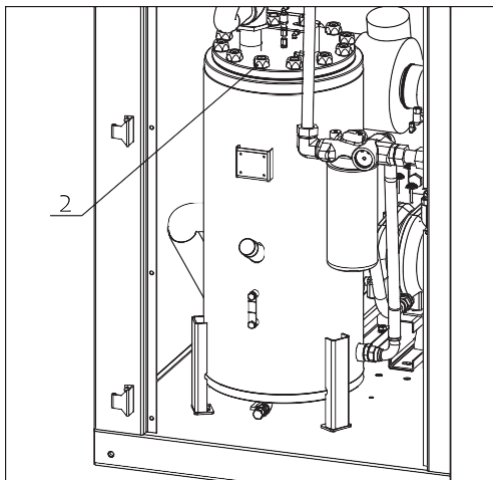


Fig. 5.5 Changing air-oil separator

The separating component is located within the separator tank. Open the front panel in order to change it. Unscrew the bolts (2) and carefully remove the top cap of the tank. Disconnect hoses if they make it difficult to remove the cap. Remove the spent separator and install a new one in its place. Refasten the tank cap.

## 5.6 Cleaning radiator

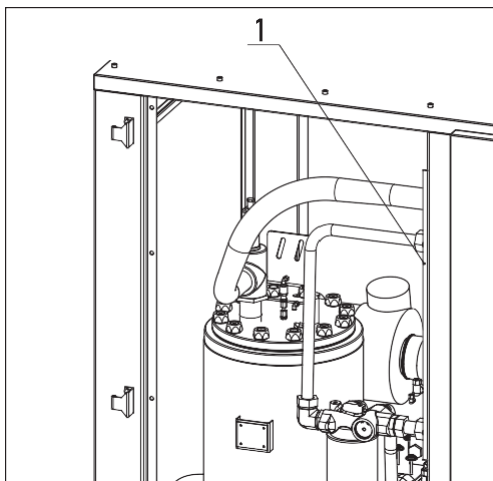


Fig 5.6. Cleaning radiator

Open the left side panel.

Regularly clean the radiator in order to maintain its cooling efficiency at an acceptable level.

Remove any dirt particles from the radiator using a fibre brush, then aim a jet of compressed air at the radiator from the bottom to the top; the jet should be held at an approximate 90° angle to the plane of the radiator.

## 5.7 Checking suction valve

In order to access the intake valve, the air filter has to be removed in accordance with section 5.4. Then open the air throttle by hand, ensuring that it has a smooth stroke and can be opened fully. If the air throttle jams or doesn't operate fully, then replace the valve with a new one.

## 5.8 Servicing bearings of electric motor

When the compressor is used, fresh viscous lubricant (formulated for rolling bears) should be added to the motor's bearings. Lubricant should be added using a special syringe for viscous lubricants through lubricators accommodated in the motor's bearing caps. The volume of lubricant added can be calculated using the formula:

$$D^2 \text{ motor shaft (mm)} \times 0,005 = M \text{ (lubricant mass)(g)}$$

Do not over-lubricate the bearings beyond the standard level as all excess lubricant will be squeezed out of the bearings into the motor when the motor is running.

# 6. Fault handling

## 6.1 Faults and corrective actions

| Problem                                                                                    | Possible faults                                                                                                   | Corrective actions                                                                         |
|--------------------------------------------------------------------------------------------|-------------------------------------------------------------------------------------------------------------------|--------------------------------------------------------------------------------------------|
| The compressor starts up with lag. There is a slow build up in the electric motor's speed. | The belt is overtightened                                                                                         | Tighten the belt with the relevant load.                                                   |
|                                                                                            | The oil is thick.                                                                                                 | Replace the oil.                                                                           |
| There's a whistling during the compressor's operation.                                     | The belt is slipping.                                                                                             | Tighten the belt with the appropriate tensile force (see section 5.3 Checking drive belt). |
| The compressor won't start. There's a temperature block on the control unit's display.     | The ambient air temperature in the facility does not meet the required temperature (below +5 °C or above +40 °C). | Ensure the necessary ambient air temperature where the compressor is installed.            |
| The compressor is overheating.                                                             | There's insufficient ventilation in the facility where the compressor is installed.                               | Increase the air circulation inside the facility.                                          |
|                                                                                            | The oil level is too low.                                                                                         | Top up oil.                                                                                |
|                                                                                            | The radiator is dirty                                                                                             | Blow down the radiator with compressed air.                                                |
| The safety-relief valve of the separator tank is activated.                                | The separator is dirty.                                                                                           | Perform maintenance by replacing the separator.                                            |
|                                                                                            | The pressure is too high (over 13 bar).                                                                           | Set the working pressure below 13 bar.                                                     |

# 7. Storage and disposal

## 7.1 Storage conditions

The compressor should be kept at a temperature between  $-20^{\circ}$  and  $+35^{\circ}$  C with max. 85% relative humidity.

## 7.2 Disposal of oils and process condensate

Used oils, greasy filters and separators should be recycled in a sealed container and disposed of at a local recycling or disposal facility. Do not allow precipitation to mix with oil. Process condensate contains oil. Local environmental regulations govern the degree of contamination of condensate discharge into sewers. Use process condensate separators to separate oil and further impurities from condensate.

Replaceable components of a process condensate separator should be disposed of in the same way as greasy wiping cloths.

© Comprag ®. Alle Rechte vorbehalten.

Die Textteile, Abbildungen, Tabellen und Diagramme dürfen nicht ohne Genehmigung der Comprag GmbH kopiert oder veröffentlicht werden. Technische Daten, Spezifikationen und Details dieser Bedienungsanleitung können ohne vorherige Ankündigung geändert werden.

Comprag GmbH



## **1 Sicherheitsrichtlinien**

- 1.1 Symbolerklärung
- 1.2 Allgemeine Sicherheitsrichtlinien
- 1.3 Sicherheitshinweise für die Inbetriebnahme
- 1.4 Sicherheitshinweise für den Betrieb
- 1.5 Sicherheitshinweise für die Wartung und Reparatur

## **2 Technische Daten und Funktionsbeschreibung**

- 2.1 Technische Daten
- 2.2 Allgemeine Beschreibung
- 2.3 Ablaufdiagramm und Hauptkomponenten
- 2.4 Funktionsbeschreibung
- 2.5 Pneumatikplan Last- Leerlauf
- 2.6 Elektro-Schaltplan
- 2.7 Elektrische Anschlusswerte

## **3 Inbetriebnahme**

- 3.1 Transport
- 3.2 Abmessungen
- 3.3 Voraussetzungen für die Installation am Standort
- 3.4 Anbindung an die Druckluftleitung
- 3.5 Anbindung an das Stromnetz

## **4 Betrieb**

- 4.1 Steuerung und Bedienfeld

## **5 Wartung**

- 5.1 Wartungsplan
- 5.2 Prüfen des Ölstands
- 5.3 Austausch des Öls und der Ölfilter
- 5.4 Austausch des Luftfilters
- 5.5 Austausch des Luft/Öl-Separators
- 5.6 Wärmeaustauscher reinigen
- 5.7 Ansaugventil überprüfen
- 5.8 Service für die Lager des Elektromotors

## **6 Fehlerbehebung**




- 6.1 Fehler und Korrekturmaßnahmen

## **7 Lagerung und Entsorgung**


- 7.1 Lagerbedingungen
- 7.2 Entsorgung von Öl und Prozesskondensat


# 1. Sicherheitsrichtlinien

## 1.1 Symbolerklärung.

|                                                                                   |               |
|-----------------------------------------------------------------------------------|---------------|
|  | Lebensgefahr. |
|  | Warnung.      |
|  | Achtung.      |

## 1.2 Allgemeine Sicherheitsrichtlinien.

|                                                                                   |                                                                                                                                                                                                                                                                                                                                                                                         |
|-----------------------------------------------------------------------------------|-----------------------------------------------------------------------------------------------------------------------------------------------------------------------------------------------------------------------------------------------------------------------------------------------------------------------------------------------------------------------------------------|
|  | Machen Sie sich sorgfältig mit den technischen Dokumenten, Betriebsanleitungen und Sicherheitsrichtlinien vertraut. Ein Großteil der Unfälle im Umgang mit Kompressoranlagen ist auf Nichteinhaltung von Sicherheitsrichtlinien zurückzuführen. Vermeiden Sie unnötige Risiken und halten Sie sich an die Sicherheitsrichtlinien. Die wichtigsten Regeln sind im Folgenden beschrieben. |
|-----------------------------------------------------------------------------------|-----------------------------------------------------------------------------------------------------------------------------------------------------------------------------------------------------------------------------------------------------------------------------------------------------------------------------------------------------------------------------------------|

|                                                                                   |                                                                                                                                                                                              |
|-----------------------------------------------------------------------------------|----------------------------------------------------------------------------------------------------------------------------------------------------------------------------------------------|
|  | Der Benutzer trägt die volle Verantwortung für Verletzungen oder Schäden, die während der Montage, des Betriebs, der Wartung sowie aufgrund von unberechtigter Nutzung der Anlage auftreten. |
|-----------------------------------------------------------------------------------|----------------------------------------------------------------------------------------------------------------------------------------------------------------------------------------------|

1. Der Betreiber hat die in diesen Anweisungen sowie in den geltenden gesetzlichen Vorschriften enthaltenen Sicherheitsrichtlinien genauestens einzuhalten!
2. Bei Überschneidungen der Sicherheitsrichtlinien mit der örtlichen Gesetzgebung gelten stets die strengeren Vorschriften.
3. Nur Wartungspersonal mit entsprechender Berufsausbildung ist es gestattet, Compraq-Anlagen zu bedienen, zu warten und zu reparieren.
4. Druckluft, die direkt vom Kompressor kommt, kann Öl und Verunreinigungen enthalten und ist nicht als Atemluft geeignet! Druckluft muss in Übereinstimmung mit den geltenden gesetzlichen Vorschriften auf einen zur Atmung geeigneten Luftreinheitsgrad gebracht werden.
5. Druckluft ist eine äußerst gefährliche Energiequelle. Druckluft darf niemals unsachgemäß verwendet werden! Verwenden Sie niemals Druckluft, um Kleidung oder Schuhe zu reinigen und zielen Sie mit Druckluftschläuchen niemals auf Menschen oder Tiere! Bei der Reinigung von

Geräten mit Druckluft ist äußerste Vorsicht geboten. Tragen Sie dabei immer eine Schutzbrille!

6. Wartungs-, Reparatur-, Aufbau-, und Montagearbeiten dürfen nur durchgeführt werden, wenn das Gerät ausgeschaltet ist, von der Stromquelle getrennt ist, die Druckluftschläuche vom Gerät getrennt sind und beteiligte Personen Schutzbrillen tragen. Stellen Sie sicher, dass die Anlage vom Druckluftsystem getrennt ist und nicht unter Druck steht.

### 1.3 Sicherheitshinweise für die Inbetriebnahme



Der Benutzer trägt die volle Verantwortung für Verletzungen oder Schäden, die während der Montage, des Betriebs, der Wartung sowie aufgrund von unberechtigter Nutzung der Anlage auftreten.

1. Anlagen dürfen ausschließlich mit entsprechenden Handhabungsgeräten oder Kränen auf-/abgeladen werden. Anlagen dürfen nicht von Hand angehoben oder bewegt werden. Anlagen niemals an Hebezeugen o. Ä. hängen lassen. Beim Abladen immer einen Helm tragen.
2. Stellen Sie die Anlagen in einem trockenen und sauberen Gebäude auf, wo sie vor Niederschlag geschützt sind. Das Gebäude muss ausreichend und bei Bedarf durch Fremdbelüftung belüftet sein.
3. Abgenutzte, beschädigte oder defekte Druckluftschläuche dürfen nicht verwendet werden. Stellen Sie sicher, dass die verwendeten Schläuche hinsichtlich Durchmesser und Betriebsdruck für die jeweiligen Geräte geeignet sind.
4. Sind in einem System mehrere Kompressorstationen vorhanden, benötigt jeder Kompressor ein von Hand betätigtes Ventil zum Abschalten der einzelnen Kompressoren für Notfälle.
5. Explosive und leicht entzündliche Substanzen wie Lösungsmitteldämpfe, Kohlenstaub etc. dürfen keinesfalls in die Atmosphäre freigesetzt werden.
6. Sorgen Sie für ungehinderten Zugang zum Druckluftschlauch vom Kompressor. Der Schlauch sollte nicht verdeckt sein und es dürfen keine brennbaren Materialien in unmittelbarer Nähe gelagert werden.
7. Druckluftschläuche dürfen nicht gequetscht oder verformt werden.
8. Lüftungsöffnungen von Anlagen dürfen nicht abgedeckt werden. Achten Sie darauf, dass das Gebäude gut belüftet ist.
9. Bei Verwendung einer Fernsteuerung muss folgende Warnung gut sichtbar und lesbar am Gerät vorhanden sein: „**ACHTUNG:** Diese Maschine ist ferngesteuert und kann ohne Vorwarnung anlaufen!“ Ein Bediener, der das Gerät fernsteuert, muss sicherstellen, dass zu dem Zeitpunkt keine Montage- oder anderen Arbeiten an der Anlage durchgeführt werden. Wurde das Gerät per Fernsteuerung abgeschaltet, muss der Bediener sicherstellen, dass das Gerät auch tatsächlich ausgeschaltet ist!
10. Anlagen müssen geerdet sein. Kurzschlusschutzvorrichtungen müssen vorhanden sein. Der Not-Aus-Taster muss sich in unmittelbarer Nähe des Geräts befinden und gegen unberechtigte Inbetriebnahme schützen.



Der Benutzer trägt die volle Verantwortung für den ordnungsgemäßen Betrieb des in der Anlage vorhandenen Elektromotors. Anlagen sind nur mit entsprechenden Schutzvorrichtungen zu betreiben. Die Schutzvorrichtungen müssen den Elektromotor vor Kurzschlüssen, Überlast (systematisch und bei der Inbetriebnahme) und Phasenausfall schützen. Die Montage von Schutzvorrichtungen liegt in der Verantwortung des Benutzers.

11. Bei Geräten mit einem unabhängigen Steuersystem mit automatischer Neustartfunktion muss neben dem Bedienfeld folgender Hinweis stehen: „ACHTUNG: Diese Maschine kann ohne Vorwarnung anlaufen!“
12. Sämtliche Tanks und Behälter, die unter Druck stehen, müssen mit Sicherheitsventilen ausgestattet sein! Die unerlaubte Montage, Demontage oder Verstellung der vorhandenen Sicherheitsventile ist nicht gestattet.

## 1.4 Sicherheitshinweise für den Betrieb



Der Benutzer trägt die volle Verantwortung für Verletzungen oder Schäden, die während der Montage, des Betriebs, der Wartung sowie aufgrund von unberechtigter Nutzung der Anlage auftreten.

1. Stellen Sie sicher, dass die verwendeten Schläuche hinsichtlich Durchmesser und Betriebsdruck für die jeweiligen Geräte geeignet sind. Überprüfen Sie die einzelnen Schlauchanschlüsse vor der Inbetriebnahme auf festen Sitz. Eine lose Schlauchverbindung kann schwere Verletzungen verursachen.
2. Anlagen niemals einschalten, wenn leicht entzündliche Luftverunreinigungen vermutet werden.
3. Der Bediener, der das Gerät fernsteuert, muss sicherstellen, dass zu dem Zeitpunkt keine Montage- oder anderen Arbeiten an der Anlage durchgeführt werden. Folgender Warnhinweis muss gut sichtbar am Gerät angebracht sein: „ACHTUNG: Diese Maschine ist ferngesteuert und kann ohne Vorwarnung anlaufen!“
4. Das Gerät darf keinesfalls bei Müdigkeit sowie nach dem Konsum von Alkohol, Drogen oder Medikamenten, die die Reaktionszeit reduzieren, verwendet werden.
5. Das Gerät darf nicht betrieben werden, wenn Teile des Gehäuses entfernt wurden. Türen oder Abdeckungen dürfen zu Prüfzwecken und für geplante Kontrollen kurzzeitig geöffnet werden. Gehörschutz wird dringend empfohlen.



Bei manchen Geräten können offene Türen oder fehlende Abdeckungen während des Betriebs zu Überhitzung führen.

6. Bei Arbeiten unter Betriebsbedingungen oder in Gebäuden, in denen der Schalldruckpegel 90 dB (A) oder mehr erreicht, muss Gehörschutz getragen werden.
7. Wird beim Heizen des Gebäudes Druckluft zur Anlagenkühlung verwendet, muss die Luft gefiltert werden, damit sie zum Atmen geeignet ist.
8. Folgende Punkte sind regelmäßig zu kontrollieren:
  - Vorhandensein von Sicherheitsvorrichtungen und -geräten;
  - Zustand und Dichtigkeit sämtlicher Schläuche und Rohrleitungen;
  - Lecks;
  - Festigkeit von Halterungen und Strukturbauteilen;
  - Zustand und Sicherheit der elektrischen Leitungen und Kontakte;
  - Funktionstüchtigkeit und Sauberkeit von Sicherheitsvorrichtungen;
  - Funktionstüchtigkeit von Strukturbauteilen und Anzeichen von Verschleiß;

## 1.5 Sicherheitshinweise für die Wartung und Reparatur



Der Benutzer trägt die volle Verantwortung für Verletzungen oder Schäden, die während der Montage, des Betriebs, der Wartung sowie aufgrund von unberechtigter Nutzung der Anlage auftreten.

1. Es sind ausschließlich original Ersatz- und Austauschteile zugelassen. Die Verwendung von Ersatzteilen anderer Hersteller kann zu unvorhersehbaren Ergebnissen und somit zu Unfällen führen.
2. Bei Montage- und Reparaturarbeiten ist stets eine Schutzbrille zu tragen!
3. Vor dem Anschließen oder Trennen von Geräten sind diese vom Hauptdruckluftsystem zu trennen. Stellen Sie sicher, dass die Schläuche nicht unter Druck stehen!
4. Vor Beginn von Montagearbeiten oder sonstigen Arbeiten muss sichergestellt werden, dass die Anlage nicht unter Druck steht. Es dürfen niemals Montagearbeiten an Anlagen, die unter Druck stehen, durchgeführt werden.
5. Sämtliche Wartungsarbeiten dürfen erst ausgeführt werden, wenn die Bauteile auf Raumtemperatur abgekühlt sind.
6. Verwenden Sie niemals leicht entzündliche Lösungsmittel oder Tetrachlormethan zur Reinigung von Strukturbauteilen. Treffen Sie entsprechende Vorkehrungen gegen giftige Dämpfe von Reinigungsmitteln.
7. Während Montage- und Reparaturarbeiten sollte ein Hinweisschild am Bedienfeld angebracht sein, das vor unbefugtem Einschalten warnt. Beispiel: „Nicht einschalten. Gefahr für Bedienpersonal!“

8. Der Bediener, der das Gerät fernsteuert, muss sicherstellen, dass zu dem Zeitpunkt keine Montage- oder anderen Arbeiten an der Anlage durchgeführt werden. Folgender Warnhinweis muss gut sichtbar am Gerät angebracht sein: Siehe 1.3.9.
9. Halten Sie das Gebäude, in dem das Gerät steht, sauber. Schließen Sie offene Zu- und Abläufe während der Montage mit trockenen Lappen oder Papier, um zu verhindern, dass Schmutz in die Anlage gelangt.
10. Schweißarbeiten oder ähnliche Arbeiten dürfen nicht in unmittelbarer Nähe von Anlagen und Behältern, die unter Druck stehen, durchgeführt werden.
11. Schalten Sie die Anlage bei Verdacht auf Überhitzung, Entzündung sowie in anderen Notsituationen umgehend aus. Schalten Sie die Anlage sofort stromlos. Öffnen Sie Türen der Anlage erst, wenn sie sich auf Raumtemperatur abgekühlt hat, um Verbrennungen oder Verletzungen zu vermeiden.
12. Offene Flammen dürfen nicht als Lichtquelle für Inspektionen und Kontrollen der Anlage genutzt werden.
13. Verwenden Sie niemals ätzende Lösungsmittel, die Materialien im Druckluftsystem beschädigen könnten.
14. Stellen Sie nach Montagearbeiten oder anderen Arbeiten sicher, dass keine Werkzeuge, Lappen oder Ersatzteile im Gerät zurückgelassen wurden.
15. Achten Sie besonders auf die Sicherheitsventile. Kontrollieren Sie sie gründlich und entfernen Sie Staub und Schmutz. Ihre Funktion darf unter keinen Umständen beeinträchtigt sein. Denken Sie immer daran, dass Ihre Sicherheit von ihrer Funktionstüchtigkeit abhängt!
16. Stellen Sie nach Wartungs- oder Reparaturarbeiten und vor Beginn des Betriebs im normalen Modus sicher, dass der Betriebsdruck, die Temperatur und andere Werte richtig eingestellt sind. Stellen Sie sicher, dass alle Steuergeräte installiert sind und einwandfrei funktionieren.
17. Wischen Sie beim Wechsel von Filtern, Abscheidern usw. Staub-, Schmutz- und Ölablagerungen an der jeweiligen Stelle mit einem trockenen Tuch ab.
18. Schützen Sie Motor, Luftfilter, elektrische Komponenten, Steuerkomponenten usw. vor Kontakt mit dem Kondensat. Blasen Sie sie zum Beispiel mit trockener Luft ab.
19. Sicherheitshinweise für den Umgang mit Kältemitteln:
  - Niemals Kältemitteldämpfe einatmen. Stellen Sie sicher, dass der Arbeitsbereich gut belüftet ist. Bei Bedarf Atemschutz tragen.
  - Tragen Sie immer Spezialhandschuhe. Wenn Kältemittel mit der Haut in Kontakt kommt, spülen Sie die betroffene Stelle mit reichlich Wasser ab. Wenn Kältemittel durch Kleidung hindurch mit der Haut in Kontakt kommt, versuchen Sie nicht, die Kleidung zu entfernen. Spülen Sie die Kleidung stattdessen gründlich mit klarem Wasser aus, bis das Kühlmittel ausgewaschen wurde. Suchen Sie anschließend einen Arzt auf.
20. Tragen Sie bei Montage- und Reparaturarbeiten (wie z. B. bei einem Ölwechsel) Schutzhandschuhe, um Verbrennungen und Verletzungen zu vermeiden.

## 2. Technische Daten und Funktionsbeschreibung



Die Garantie im festgelegten Zeitraum erlischt wenn:

- Der Gewährleistungsschein des Kompressors nicht vorhanden ist, oder wenn er fehlerhaft ausgefüllt ist.
- Wenn die Wartungsarbeiten nicht ordnungsgemäß im Servicebuch vermerkt sind.
- Wenn bei Reparaturen keine Comprag-Originalteile oder Schmiermittel benutzt werden.

### 2.1 Technische Daten

| Artikel  | Modell | Antriebsleistung (kW) | Betriebsdruck (bar) | Max. Leistung (m <sup>3</sup> /min) | Nennspannung (phase/V/Hz) | Schalldruckpegel (dB) | Schraubverbindung | Ölmenge, Liter |
|----------|--------|-----------------------|---------------------|-------------------------------------|---------------------------|-----------------------|-------------------|----------------|
| 11300105 | DV7508 | 75                    | 5-8                 | 12,80                               | 3/380/50                  | 75                    | DN 50             | 40             |
| 11300106 | DV7510 |                       | 5-10                | 11,30                               |                           | 75                    |                   |                |
| 11300115 | DV9008 | 90                    | 5-8                 | 15,40                               |                           | 75                    |                   |                |
| 11300116 | DV9010 |                       | 5-10                | 13,40                               |                           | 75                    |                   |                |

### 2.2 Allgemeine Beschreibung

Die Schraubenkompressoren der DV Serie sind für die kontinuierliche und effiziente Druckluftherzeugung konzipiert. Die DV-Serie sind ölgefüllte Schraubenkompressoren mit Riemenantrieb und elektronischer Steuerung. Die stabile Konstruktion ist umschlossen von einem Geräusch isolierenden Gehäuse, ausgestattet mit dem Kontrollpanel v-LOG (LCD Display), Start/Stop-Schalter und einem Not-Aus-Taster. Für die Systemüberwachung werden Temperatur und Druckrelais eingesetzt.

## 2.3 Ablaufdiagramm und Hauptkomponenten

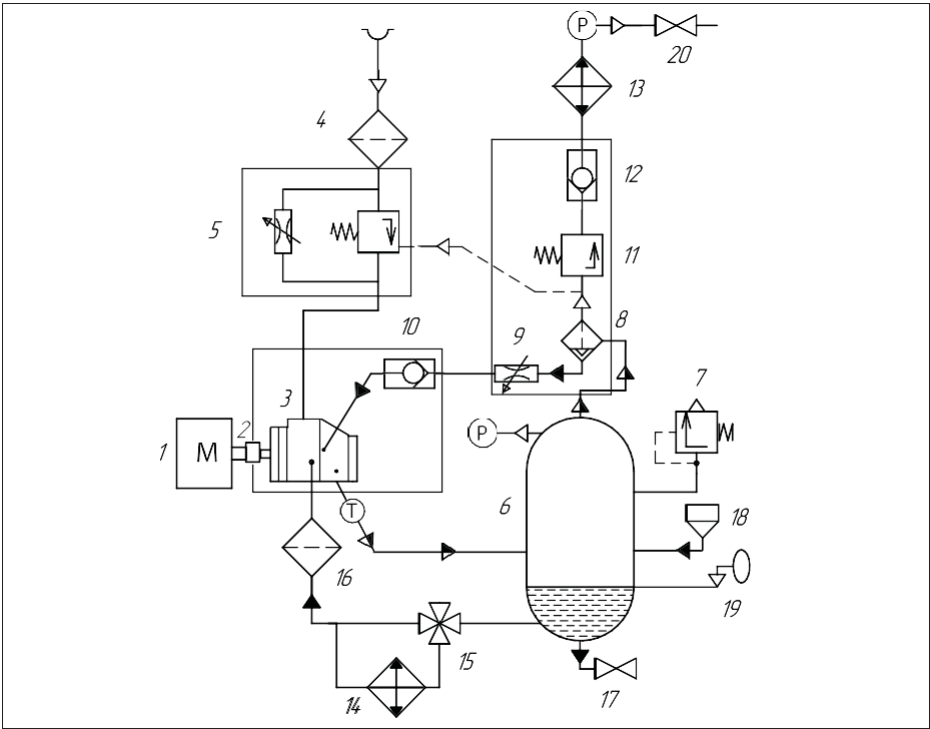


Bild 2.3 Ablaufdiagramm DV75-90

|  |                 |  |                            |
|--|-----------------|--|----------------------------|
|  | Luftfluß        |  | Temperaturfühler           |
|  | Ölfluß          |  | Drucksensor                |
|  | Luft/Öl Gemisch |  | Pneumatische Steuerleitung |



## 2.4 Funktionsbeschreibung

### Luftkreislauf:

Die Luft strömt durch den Luftfilter (4), öffnet das Einlassventil (5) und strömt weiter in den Schraubenblock (3) des Kompressors, wo sie komprimiert wird. Das Gemisch aus komprimierter Luft und Öl wird in den Luft-/Ölabscheidetank (6) geleitet. Danach über das Mindestdruckventil (11) durch den Wärmeaustauscher (13) zum Ablassventil abgeführt (20).

### Ölkreislauf:

Die Druckluft zwingt das Öl aus dem Luft-/Ölabscheidetank (6) durch den Wärmeaustauscher (14) und den Ölfilter (16) zum Schraubenblock (3) und den Schmierstellen. Im Luft-/Ölabscheidetank (6) wird das meiste Öl abgeschieden, der Rest wird im Luft-/Ölabscheider entfernt (8). Das Ölflusssystem ist mit einem thermostatischen Ventil (15) ausgestattet. Wenn die Öltemperatur unter dem Sollwert des Thermostatventils, trennt es die Ölversorgung vom Wärmeaustauscher (14). Das Thermostatventil öffnet die Zufuhr vom Wärmeaustauscher (14) wenn die Öltemperatur die voreingestellte Temperatur erreicht hat. Die Voreinstellungen sind Modellabhängig. Siehe auch Tabelle Technische Daten.

### Kühlsystem:

Das Kühlsystem beinhaltet einen kombinierten Luftbereich (13) und Ölbereich (14) Wärmeaustauscher. Einen Lüfter, ausgestattet mit einem leistungsfähigen Elektromotor, generiert gekühlte Luft für die erforderliche Abkühlung des Wärmeaustauschers.

## 2.5 Pneumatikplan Last- Leerlauf

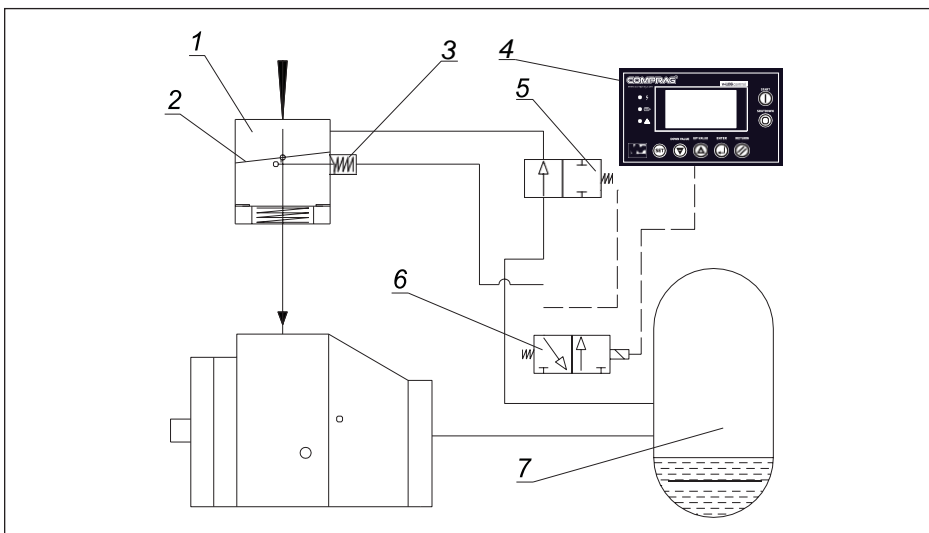


Bild 2.5 Pneumatikplan

Die Anlage wird von einer elektronischen Steuerung (2) gesteuert, die den Druck im Netz und damit den Luftverbrauch des Verbrauchers überwacht und die Drehzahl des Kompressors anpasst.

### **Hauptbetriebsart:**

Beim Einschalten beschleunigt der Frequenzumrichter den Kompressor über 15 Sekunden auf die maximal zulässige Frequenz. Der Druck baut sich bis zum eingestellten Solldruck auf. Wenn dieser erreicht ist, hält der Kompressor den eingestellten Druck durch Variieren der Drehzahl des Verdichters. Steigt der Druckluftverbrauch, steigt auch die Frequenz des Frequenzumrichters und damit die Drehzahl des Verdichters. Wenn der Druckluftverbrauch abnimmt, nimmt auch die Frequenz des Frequenzumrichters ab. Der Systemdruck bleibt konstant. Durch Drücken der Aus-Taste senkt der Frequenzumrichter die Frequenz auf die minimal zulässige Frequenz und schaltet den Kompressor dann aus.

### **Leerlauf und Entlüftung:**

Ist der Druckluftverbrauch kleiner als die niedrigstmögliche Kompressorliefermenge ist, erreicht der Systemdruck den eingestellte Ausschaltedruck. Das Magnetventil (3) wird geöffnet.

1. Die Drossel (5) des Ansaugventils (1) wird mit Druck beaufschlagt und die Drossel geschlossen. Es wird keine Luft mehr angesaugt.
2. Das Ablassventil (7) öffnet und entlastet das System und den Abscheiderbehälter (4).
3. Der Interne Druck des Systems sinkt auf 3,5 bar.

Der Kompressor kann sofort wieder Anlaufen wenn der Einschaltedruck unterschritten wird. Nach Ablauf einer Leerlaufzeit wird der Kompressor in Standby geschaltet und das System komplett entlüftet, damit es ohne Gegendruck wieder starten kann.

### **Einschalten während der Leerlaufzeit:**

Sinkt der Netzdruck während des Leerlaufs auf den Einschaltedruck, so wird das Magnetventil (3) geschlossen.

1. Die Drossel (5) des Ansaugventils (1) wird entlastet und die Drossel geöffnet. Es wird wieder Luft angesaugt.
2. Das Ablassventil (7) schließt und der Druck im System und im Abscheiderbehälter (4) steigt.

## 2.6 Elektro-Schaltplan

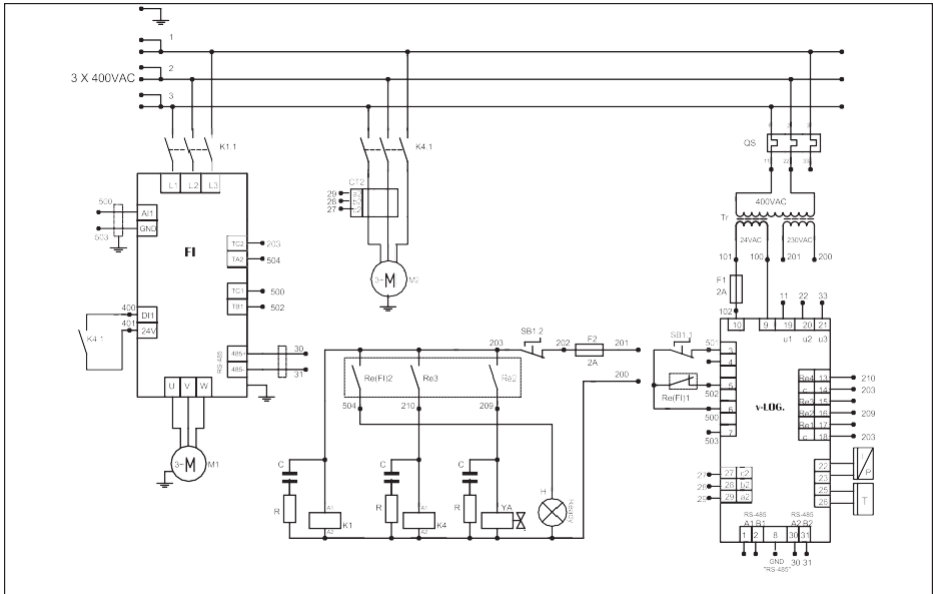


Bild 2.6 Elektro-Schaltplan DV75-90

### Hauptkomponenten

|        |                   |       |                                   |
|--------|-------------------|-------|-----------------------------------|
| K1--K4 | Schütz            | YA    | Elektromagnetventil               |
| M1, M2 | Elektromotor      | QS    | Automatischer Leistungsumschalter |
| T      | Temperatursensor  | CT2   | Transformator                     |
| I/P    | Drucksensor       | R,C   | RC Filter                         |
| SB     | Not-Aus           | Tr    | Transformator                     |
| F1, F2 | Sicherung         | v-LOG | Controller                        |
| FI     | Frequenzumrichter | H     | Lichtindikator                    |

## 2.7 Elektrische Anschlusswerte

| Spannung (V)                                           | Frequenz (Hz) | DV75.. | DV90.. |
|--------------------------------------------------------|---------------|--------|--------|
| Material - Kupfer. Kabelquerschnitt (mm <sup>2</sup> ) |               |        |        |
| 380 / 400                                              | 50            | 70     | 95     |
| Sicherung (A)                                          |               |        |        |
| 380 / 400                                              | 50            | 160    | 200    |

# 3. Inbetriebnahme

## 3.1 Transport



Alle Transportvorgänge sollten mit einem Gabelstapler, dessen Traglast für das Gewicht Ihres Kompressors ausgelegt ist durchgeführt werden. Hebevorgänge können auch mit Kran, Seilwinden oder anderen Hebezeugen, mit verwendung von TransporttrFversen der richtigen länge ausgeführt werden. Beachten Sie die örtlichen Sicherheitsvorschriften.

Für den Transport mit dem Gabelstapler, nutzen Sie die Transportlanglöcher im Gestell. Der Kompressor hat Transportlanglöcher mit einer Breite von C – Bild 5. Bewegen Sie den Kompressor vorsichtig.

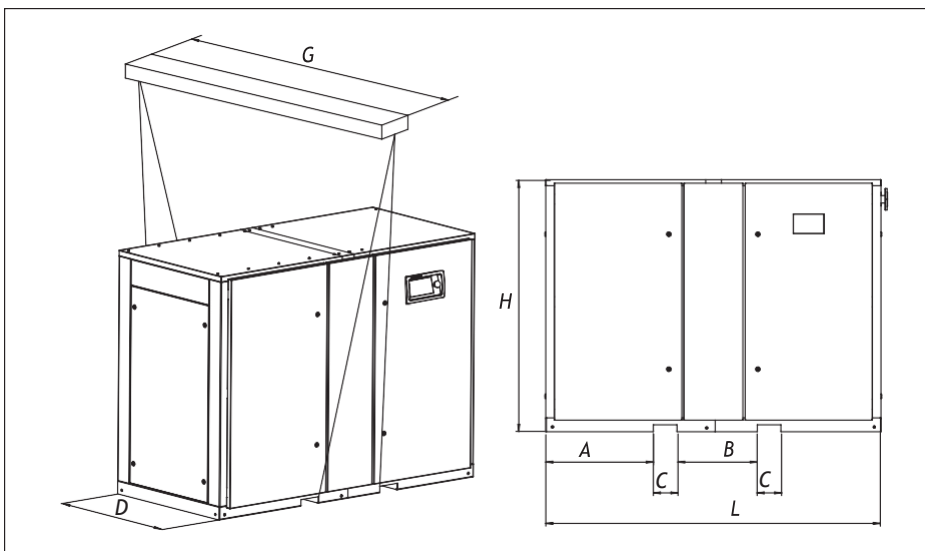
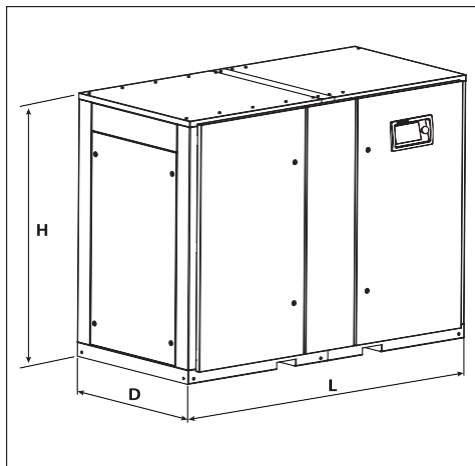


Bild 3.1 Heben und Transportieren DV75–90.

| A, mm | B, mm | C, mm | L, mm | H, mm | D, mm | G, mm |
|-------|-------|-------|-------|-------|-------|-------|
| 802   | 600   | 176   | 2550  | 1880  | 1260  | 1400  |

## 3.2 Abmessungen



| Modell                      | Hauptabmessungen Kompressor |                 |               |               |
|-----------------------------|-----------------------------|-----------------|---------------|---------------|
|                             | Länge<br>L, mm              | Breite<br>D, mm | Höhe<br>H, mm | Weight,<br>kg |
| DV75                        | 2550                        | 1260            | 1880          | 2200          |
| DV90                        |                             |                 |               | 2370          |
| Hauptabmessungen Verpackung |                             |                 |               |               |
| DV75                        | 2760                        | 1360            | 2010          | 2285          |
| FV90                        |                             |                 |               | 2455          |

Bild 3.2 Abmessungen DV75–90

## 3.3 Requirements on installation facility

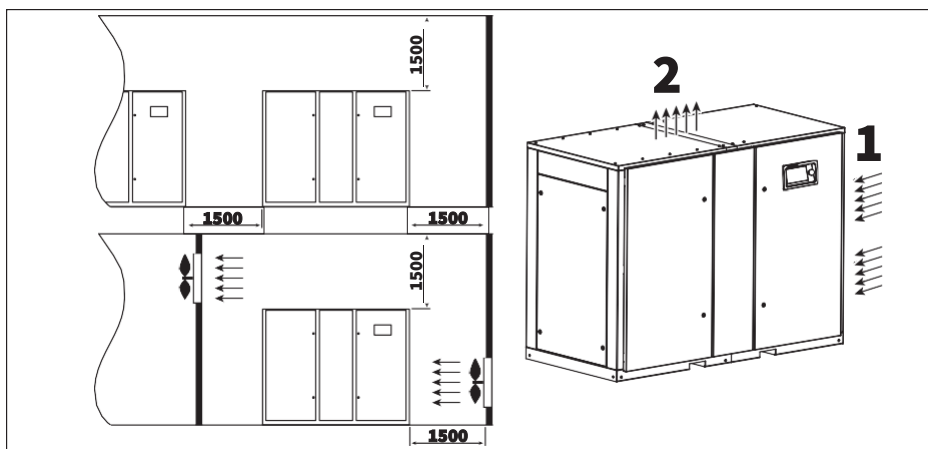


Bild 3.3 Installationsvorschlag DV75–90

1. Luftansaugung
2. Luftablas

Versichern Sie sich, dass der Untergrund im Arbeitsumfeld des Kompressors für das Komplettgewicht der Druckluftanlage ausgelegt ist. Justieren Sie die horizontale Achse des Kompressors mit Hilfe eines Nivellierinstrumentes. Wenn der Kompressor nicht mit dem Untergrund verankert ist, darf der Winkel zur horizontalen Ebene des Untergrundes nicht mehr als 3° betragen. Wenn der

Kompressor mit dem Untergrund verankert ist, dürfen 7° nicht überschritten werden. Montieren Sie den Kompressor mindestens 1,5 m von den Wänden entfernt. Wenn mehrere Kompressoren montiert werden, halten Sie einen Minimumabstand von 1,5 m von Kompressor zu Kompressor ein. Zwischen Kompressor und Druckluftzubehör sollten 4 m Sicherheitsabstand gelassen werden. Der Standort des Kompressors muss mit einem kombinierten Be- und Entlüftungssystem ausgestattet werden.



Am Standort des Kompressors, sollte ein doppelt so großer Luftmenge, wie der vom Hersteller angegebene Luftvolumenstrom zur Verfügung stehen.

Das Volumen der Absaugung darf maximal 40% des Luftvolumenstroms der Belüftung am Einsatzort des Kompressors betragen. Die Temperatur am Einsatzort des Kompressors darf nicht unter 5+ °C fallen. Benutzen Sie einen Lüftungskanal /Schlauch um die heiße Abluft des Kompressors abzuleiten. Er sollte bis zu 3m lang und mit einem 20% größeren Querschnitt als der Abgang am Kältetrockner sein. Wenn Sie einen länger als 3 Meter langen Lüftungskanal /Schlauch verwenden, müssen Sie zusätzliche Lüfter anbringen.

### **3.4 Anbindung an die Druckluftleitung**

Sorgen Sie dafür, dass die Durchsatzkapazität der Druckluftlinie mit der Leistung des Kompressors übereinstimmt. Verbinden Sie den Kompressor mit flexiblen Schläuchen um Dichtigkeitsschäden in der Druckluftleitung zu vermeiden. Alle Komponenten der Druckluftlinie müssen einen Betriebsdruck haben, der den Nenndruck des Kompressors nicht überschreitet. Benutzen Sie einen Druckluftkessel mit einem passenden Volumen zu der Leistung des Kompressors und der Endverbraucher.

### 3.5 Anbindung an das Stromnetz

Das Stromkabel ist im Lieferumfang nicht enthalten. Der Kompressor wird ohne Stromkabel geliefert. Die Kabelgröße muss so gewählt werden, dass der maximale Spannungsverlust weniger als 5% beträgt. Die Kabellänge darf 25 Meter nicht überschreiten. Raumtemperatur muss unter 40 °C liegen. Das Kabel muss eine feuerfeste Ummantelung haben.

Es muss ein Not-Aus-Schalter in Reichweite des Kompressors vorhanden sein, um die Stromverbindung notfalls zu trennen.



Der Kompressor muss in jeder Phase geerdet und geschützt sein, um Kurzschlüsse und andere Fehler zu vermeiden.

Das Stromkabel muss am Kompressor angeschlossen werden.

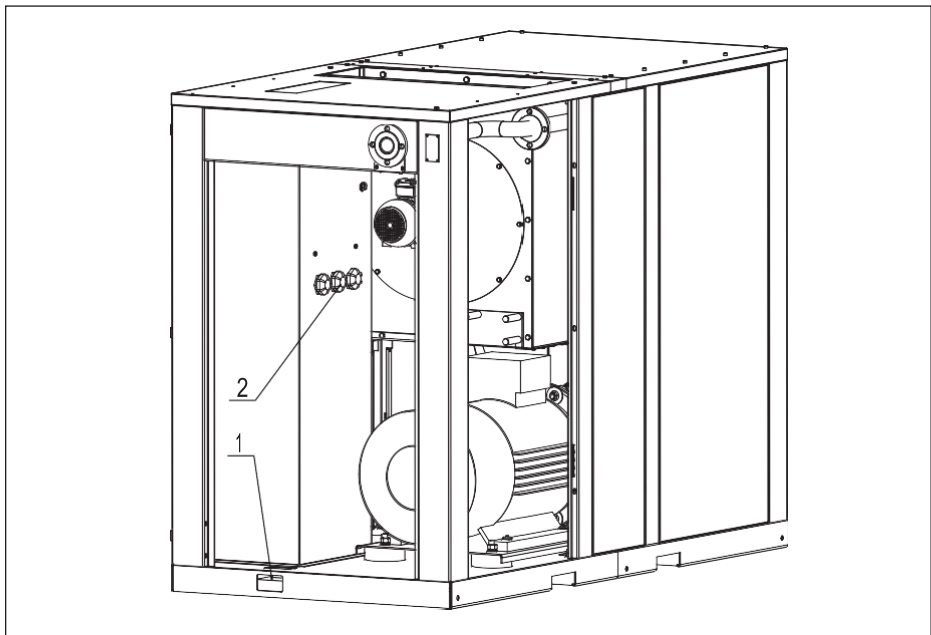


Bild 3.5 Stromkabelverbindung

Entfernen Sie das rechte Seitenpanel, führen Sie das Stromkabel durch Öffnung (1) und in Steckplatz (2). Die Erdungsader des Stromkabels muss mit dem Erdungsbolzen verbunden werden.

## 4. Betrieb



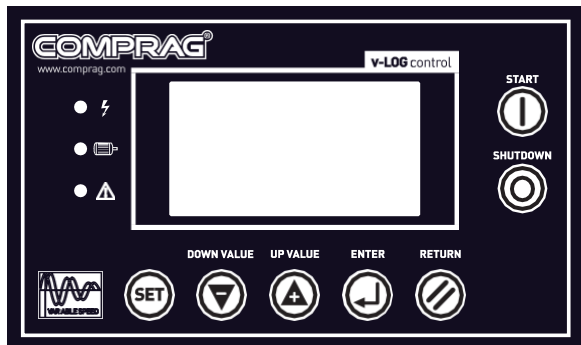
Der Kompressor darf nur von qualifiziertem Personal bedient werden,

### 4.1 Steuerung und Bedienfeld

Die frequenzgeregelten Kompressoren DV30 bis DV90 sind mit einer elektronischen Steuerung v-Log ausgestattet. Die elektronische Steuerung v-Log hält den Netzdruck zwischen den programmierbaren Grenzwerten, indem die Drehzahl des Kompressors automatisch angepasst wird. Des Weiteren werden Betriebsdaten wie Betriebszeiten und Systemzustände erfasst.

#### 4.1.1 Bedienfeld

Bild 4.1.1 Bedienfeld v-Log



|  |                                                   |  |                       |
|--|---------------------------------------------------|--|-----------------------|
|  | Kompressor starten                                |  | Auf oder Wert erhöhen |
|  | Kompressor stoppen                                |  | Ab oder Wert senken   |
|  | Zurück zum Hauptmenü                              |  | Vorgabe speichern     |
|  | Wert übernehmen / Manuell schalten Last-/Leerlauf |  |                       |

#### 4.1.2 LED-Anzeigen

|  |  |                                                                                                                                                                                                                                                                                                                                                                                         |
|--|--|-----------------------------------------------------------------------------------------------------------------------------------------------------------------------------------------------------------------------------------------------------------------------------------------------------------------------------------------------------------------------------------------|
|  |  | <b>Betriebsanzeige (rot):</b> Die Anzeige leuchtet auf, wenn die Steuerung eingeschaltet ist und die Stromversorgung ist angeschlossen.                                                                                                                                                                                                                                                 |
|  |  | <b>Betriebsanzeige (grün):</b> Die Anzeige leuchtet auf, wenn der Motor läuft.                                                                                                                                                                                                                                                                                                          |
|  |  | <b>Alarm-/Fehleranzeige (rot) Alarm (Warnung):</b> Die Anzeige blinkt, die Maschine läuft weiter. <b>Fehler:</b> Die Anzeige leuchtet permanent, begleitet von einem Tonsignal, die Maschine schaltet ab. Die Fehlermeldung kann quittiert werden nachdem die Fehlerursache behoben wurde. Um die Fehlermeldung zu quittieren, drücken und halten Sie die Taste "Zurück zum Hauptmenü". |



## LCD Anzeige.

Nach dem Einschalten zeigt das LCD-Display folgendes an:

|                                                                     |
|---------------------------------------------------------------------|
| COMPRAG DRUCK-<br>LUFTKOMPRESSOR<br>COMPRAG SCREW<br>AIR COMPRESSOR |
|---------------------------------------------------------------------|

Nach 5 Sekunden werden die laufenden Hauptparameter angezeigt:

|        |        |                                                 |                                            |
|--------|--------|-------------------------------------------------|--------------------------------------------|
| 21 °C  | 0.00HZ | Öl/Luft Gemisch Temperatur am Verdichterausgang | Aktuelle Motorfrequenz                     |
| 0.0BAR | ORPM   | Druck am Kompressoraustrag                      | Aktuelle Motordrehzahl                     |
| STOP   |        | Betriebszustand des Kompressors                 |                                            |
| 0.00V  | 0.0kW  | Aktuelle Netzspannung                           | Aktuelle Leistungsaufnahme des Kompressors |

## Hauptmenue

Klicken Sie ,  und  um das Auswahlmenü aufzurufen:

|                 |                                                                                                      |
|-----------------|------------------------------------------------------------------------------------------------------|
| ARBEITS PARAMET | Beinhaltet laufende Werte, (offen zur Ansicht)                                                       |
| BENUTZ. PARAM   | Beinhaltet Betriebseinstellungen der Hauptparameter(offen zur Ansicht, Änderungen passwortgeschützt) |
| WERKSEINSTELLUG | Für Servicebetrieb Ansicht mit Passort, Änderung nur beim Hersteller möglich.                        |

## Beschreibung der Parameter. Arbeitsparameter:

Wählen Sie den Arbeitsparameter durch die Auf-  und Ab-  Tasten und Eingabe . Es werden aktuelle Werte angezeigt.

|                 |
|-----------------|
| LÜFTER, VSD PAR |
| GESAMT EIN-ZEIT |
| AKTUAL EIN-ZEIT |
| WARTUNG PARAM   |

|                |
|----------------|
| FEHLERVERLAUF  |
| MFD, SERIEN NR |
| AKTUAL FEHLER  |
| BESCHREIBUNG   |

Wählen Sie den Arbeitsparameter durch die Auf-  und Ab-  Tasten und Eingabe .

LÜFTER, VSD PAR - Lüfter Parameter, VSD Parameter

|                 |                                   |
|-----------------|-----------------------------------|
| FREQUENZ 50.0Hz | Am Ausgang des Frequenzumrichters |
| SPANNUNG 400V   |                                   |
| STOM:           |                                   |
| LEISTUNG:       |                                   |

|                  |                                               |
|------------------|-----------------------------------------------|
| LÜFTER STROM (A) | Stromaufnahme aller 3 Phasen des Ventilators. |
| A: 0.0           |                                               |
| B: 0.0           |                                               |
| C: 0.0           |                                               |

GESAMT EIN-ZEIT - Gesamt Laufzeit

|                  |                                                |
|------------------|------------------------------------------------|
| GESAMT EIN-ZEIT: | Gesamtbetriebsstunden (Last- und Leerlaufzeit) |
| GESAMT LASTLAUF  | Gesamtlaststunden                              |

AKTUAL EIN-ZEIT - Aktuelle Laufzeit

|                  |                                                                   |
|------------------|-------------------------------------------------------------------|
| Aktual EIN-ZEIT: | Betriebsstunden seit letztem Einschalten (Last- und Leerlaufzeit) |
| Aktual LASTLAUF: | Laststunden seit letztem Einschalten                              |

WARTUNG PARAM - Wartungsstundenzähler

|                   |                                                  |
|-------------------|--------------------------------------------------|
| im Betrieb, h     |                                                  |
| ÖLFILTER: 0000H   | Betriebszeit seit letztem Ölfilterwechsel        |
| SEPARATOR: 0000H  | Betriebszeit seit letztem Separatorwechsel       |
| LUFTFILTER: 0000H | Betriebszeit seit letztem Luftfilterwechsel      |
| OIL: 0000H        | Betriebszeit seit letztem Ölwechsel              |
| Schmier M1: 0000H | Betriebszeit seit letztem Abschmieren des Motors |
| BELTS: 0000H      | Betriebszeit seit letztem Riemenwechsel          |

FEHLERVERLAUF - Fehlerverlauf

|               |                               |
|---------------|-------------------------------|
| Fehlerverlauf | Die letzten 5 Fehlermeldungen |
|---------------|-------------------------------|

MFD, SERIEN NR - Seriennummer, Herstelldatum

|               |                                                |
|---------------|------------------------------------------------|
| Seriennummer  | Seriennummer und Herstelldatum des Kompressors |
| Herstelldatum |                                                |

AKTUAL FEHLER - Aktuelle Fehlermeldung

|                      |                                            |
|----------------------|--------------------------------------------|
| Aktual Fehler        | Kein Fehler oder aktuell anliegende Fehler |
| Actual error message | NO ERRORS or ....                          |

BESCHREIBUNG - Softwareversion, interne Informationen

|                           |
|---------------------------|
| VER: Version              |
| PASS: interne Bezeichnung |
| Software code             |

Wenn im aktuellen Menü 60 Sekunden lang keine Aktion ausgeführt wird, kehrt die Steuerung automatisch zum Hauptmenü zurück.

## Beschreibung der Parameter. Benutzerparameter:

Die Inhalte dieses Menüpunktes können angezeigt werden, sind jedoch durch ein Passwort vor Änderungen geschützt. Änderungen dürfen nur durch geschultes Fachpersonal durchgeführt werden.

Wählen Sie den Benutzer-Parameter durch die Auf-  und Ab-  Tasten und Eingabe .

|                  |
|------------------|
| SET P, T, FREQ   |
| SET ZEIT         |
| BETRIEBSMODUS    |
| SEQ PARAM SET    |
| RST WARTUNG ZEIT |
| MAX EIN-ZEIT     |
| BENUTZ. PAS:     |
| SPRACHE          |

SET P, T, FREQ - Setzen Druck und Temperatur

(Nachfolgend finden Sie die Beispielsollwerte für den Kompressor mit max. Betriebsdruck 8 bar.)

|             |           |                                                                                    |
|-------------|-----------|------------------------------------------------------------------------------------|
| P LAST      | 05.2 BAR  | Wenn der Kompressor in Bereitschaft ist, schaltet er bei diesem Druck in Lastlauf. |
| P LEER      | 08.00 BAR | Bei diesem Druck schaltet der Kompressor in Leerlauf.                              |
| FREQ P      | 007.0 BAR | Regeldruck des Frequenzumrichters.                                                 |
| LÜFT. START | 0095 °C   | Einschalttemperatur des Ventilators                                                |
| LÜFT STOP   | 0060 °C   | Ausschalttemperatur des Ventilators                                                |
| NENNLEIST   | 75.0kW    | Nennleistung des Elektromotors                                                     |
| NENNGESCHW  | 2940RPM   | Nennzahl des Elektromotors                                                         |

SET ZEIT – Setzen Zeitparameter

|               |      |                                                                              |
|---------------|------|------------------------------------------------------------------------------|
| LÜFT. VERZÖG  | 2    | Verzögerung bei Überlastung des Ventilators                                  |
| LAST VERZÖG   | 2    | Verzögerung des Laustlauf (Saugventil offen)                                 |
| LEER VERZÖG   | 300  | Leerlaufzeit. Saugventil geschlossen, Hauptmotor läuft.                      |
| STOP VERZÖG.  | 5    | Abschaltverzögerung bei Aus-Taste. Saugventil geschlossen, Hauptmotor läuft. |
| START VERZÖG. | 40   | Wiedereinschaltverzögerung. Verringerung des Systemdrucks.                   |
| GESCHW. ERH.  | 0625 | PID-Vorgabe für die maximale Drehzahlerhöhung.                               |
| GESCHW. VERR. | 0625 | PID-Vorgabe für die maximale Drehzahlerhöhung.                               |

Betriebsmodus

|             |             |                                                          |
|-------------|-------------|----------------------------------------------------------|
| BETR.       | FERN/LOKAL  | Einschalten über Fernkontakt oder Lokal an der Steuerung |
| LAST        | AUTO/MANUAL | Lastlauf/Leerlauf automatisch oder manuell               |
| COM         | PC/BAN/GRP  | Kommunikationsmodus: PC / MODBUS / Gruppe                |
| COM ADRESSE | 001         | Kommunikations-Port, Netzwerkadresse                     |

SEQ PARAM SET - Gruppenparameter

|                   |              |                                                                |
|-------------------|--------------|----------------------------------------------------------------|
| GRP               | MST/FOLLOWER | Auswahl: Master / Follower (Slave)                             |
| GRP MODE          | V-V/V-F      | Auswahl: Einzelbetrieb / Gruppe                                |
| GRP NUMMER        | 0002         | Nummer des Kompressors innerhalb der Gruppe                    |
| GRP SWITCH        | 0099H        |                                                                |
| GRP LST           | 05.2 BAR     | Gruppe Lastdruck                                               |
| GRP LER           | 08.0 BAR     | Gruppe Leeraufdruck                                            |
| GRP VERZ.         | 0020S        | Gruppenverzögerung, Wartezeit bis nächster Kompressor schaltet |
| RST WARTUNG ZEIT  |              | - Rücksetzen der Wartungsstundenzähler                         |
| ÖLFILTER          | 0000H        | Ölfiler-Wartung. Nach Wartung auf 0 setzen                     |
| SEPARATOR         | 0000H        | Separator-Wartung. Nach Wartung auf 0 setzen                   |
| LUFTFILTER        | 0000H        | Luftfilter-Wartung. Nach Wartung auf 0 setzen                  |
| ÖL                | 0000H        | Öl. Nach Wechsel auf 0 setzen                                  |
| SCHMIER M1        | 0000H        | Motorlager schmieren. Nach Wartung auf 0 setzen                |
| Riemen            | 0000H        | Riemen wechseln. Nach Wartung auf 0 setzen                     |
| MAX EIN-ZEIT      |              | - Wartungsintervalle einstellen                                |
| ÖLFILTER          | 0500H        | Ölfiler-Wartung. Wartungsintervall einstellen                  |
| SEPARATOR         | 4000H        | Separator-Wartung. Wartungsintervall einstellen                |
| LUFTFILTER        | 2000H        | Luftfilter-Wartung. Wartungsintervall einstellen               |
| Öl                | 0500H        | Öl. Wechselintervall einstellen                                |
| SCHMIER M1        | 0000H        | Motorlager schmieren. Wartungsintervall einstellen             |
| Riemen            | 0000H        | Riemen wechseln. Nach Wartung auf 0 setzen                     |
| BENUTZ. PAS       |              | - Benutzer Passwort                                            |
| ENTER PASSWORD    |              | ****                                                           |
|                   |              | Kein Zugriff auf den Parameter                                 |
| SPRACHE - Sprache |              |                                                                |
| SPRACHE           |              | Sprache wählen EN/DE                                           |
|                   |              |                                                                |

Wenn im aktuellen Menü 60 Sekunden lang keine Aktion ausgeführt wird, kehrt die Steuerung automatisch zum Hauptmenü zurück.

### 4.1.3 Fehlerbeschreibung

**Alarm (Warnung):** Die Anzeige blinkt, die Maschine läuft weiter.

**Fehler:** Die Anzeige leuchtet permanent, begleitet von einem Tonsignal, die Maschine schaltet ab.

Die Fehlermeldung kann quittiert werden nachdem die Fehlerursache behoben wurde. Um die Fehlermeldung zu quittieren, drücken und halten Sie die Taste "Zurück zum Hauptmenü".

## Alarm (Warnung, Kompressor läuft weiter )

|                   |                                                              |
|-------------------|--------------------------------------------------------------|
| ALARM: ÖLFILTER   | Wartungsintervall überschritten                              |
| ALARM: SEPARATOR  | Wartungsintervall überschritten                              |
| ALARM: LUFTFILTER | Wartungsintervall überschritten                              |
| ALARM: ÖLWECHSEL  | Wartungsintervall überschritten                              |
| ALARM: SCHMIER M  | Wartungsintervall überschritten                              |
| ALARM: RIEMEN     | Wartungsintervall überschritten                              |
| ALARM: T          | Öl/Luft Gemisch Temperatur am Verdichterausgang hoch         |
| EXT. WARN.        | Kontakt kann extern belegt werden, z.B. Fehler Kältetrockner |

Alarmer zur Wartung werden bei eingestellter Zeit vor der Wartung ausgelöst. Bei überzogenem Wartungsintervall wird die Alarmmeldung periodisch wiederholt angezeigt.

## Fehlermeldungen (Kompressor stoppt bzw. Startet nicht)

FEHLER STOP – Anzeige

|                               |                                                                                                                                |
|-------------------------------|--------------------------------------------------------------------------------------------------------------------------------|
| STOP:<br>T<br>0110 °C         | Öl/Luft Gemisch Temperatur am Verdichterausgang überschritten                                                                  |
| STOP:<br>P HOCH<br>00.0 Bar   | Max. zulässiger Arbeitsdruck des Kompressors überschritten                                                                     |
| STOP:<br>D SENSOR AUSFALL     | Fehler am Drucksensor                                                                                                          |
| STOP:<br>T SENSOR AUSFALL     | Fehler am Temperatursensor                                                                                                     |
| STOP:<br>NIEDR UMGEB TEMP     | Temperatur unterschritten ( Öltemperatur unter 5 °C)                                                                           |
| STOP:<br>LÜFT ÜLAST<br>000.0A | Lüftermotor M2, zulässige Stromaufnahme überschritten                                                                          |
| STOP:<br>PH. FEHL 1           | Phasenfehler am Motor M1                                                                                                       |
| STOP:<br>PH. FEHL 2           | Phasenfehler am Lüftermotor M2                                                                                                 |
| STOP:<br>NOT-AUS              | Notaus gedrückt                                                                                                                |
| STOP: 4<br>VSD FAULT          | Fehler am Frequenzumrichter. Hersteller kontaktieren und Fehler beheben. Zuerst Fehlermeldung im Frequenzumrichter quittieren. |


## Fehlermeldungen Frequenzumrichter

Die am häufigsten auftretenden Fehlermeldungen, die ggf auf dem Display des Frequenzumrichters angezeigt werden.

| FEHLERKODE | Beschreibung                                               |
|------------|------------------------------------------------------------|
| Err.1      | Überstrom in der Leistungsendstufe im Stillstand           |
| Err.2      | Überstrom in der Leistungsendstufe während des Hochlaufs   |
| Err.3      | Überstrom in der Leistungsendstufe während der Verzögerung |
| Err.4      | Überstrom in der Leistungsendstufe im statischen Betrieb   |
| Err.5      | Überspannung während des Hochlaufs                         |
| Err.6      | Überspannung während der Verzögerung                       |
| Err.7      | Überspannung im statischen Betrieb                         |
| Err.8      | Fehler im Regelkreis                                       |
| Err.9      | Unterspannung im Netz                                      |
| Err.10     | Überlastung Frequenzumrichter                              |
| Err.11     | Überlastung Motor                                          |
| Err.12     | Eingangsphasenüberwachung                                  |
| Err.13     | Ausgangsphasenüberwachung                                  |
| Err.14     | Übertemperatur im Leistungsteil                            |
| Err.15     | Störung extern                                             |
| Err.16     | ModBus Kommunikationsstörung                               |
| Err.18     | Fehler bei Betriebsstromerfassung                          |
| Err.23     | Erdschluß in der Motorleitung                              |
| Err.40     | Zyklische kurze Stromüberlastung                           |
| Err.51     | Falsche Motorparameter                                     |

Bei einem beliebigen Fehler im Frequenzumrichter wird eine allgemeine Fehlermeldung VSD FAULT auf der Kompressorsteuerung angezeigt. Wenn der Kompressor stoppt und eine Fehlermeldung VSD FAULT auf der Kompressorsteuerung auftritt, wird zuerst der Fehler am Frequenzumrichter und anschließend der Fehler auf der Kompressorsteuerung zurückgesetzt. Nachdem beide Resets abgeschlossen sind, starten Sie den Kompressor erneut. Wenn der Fehler nach dem Zurücksetzen erneut auftritt, wenden Sie sich an einen professionellen Servicepartner.

Im Speicher bleiben die letzten 5 Fehlermeldungen erhalten.

|                                                                                     |                                                                                     |
|-------------------------------------------------------------------------------------|-------------------------------------------------------------------------------------|
|  | <p>Die weitere Benutzung ohne die Fehlerursache zu beheben ist nicht gestattet!</p> |
|-------------------------------------------------------------------------------------|-------------------------------------------------------------------------------------|

# 5. Wartung

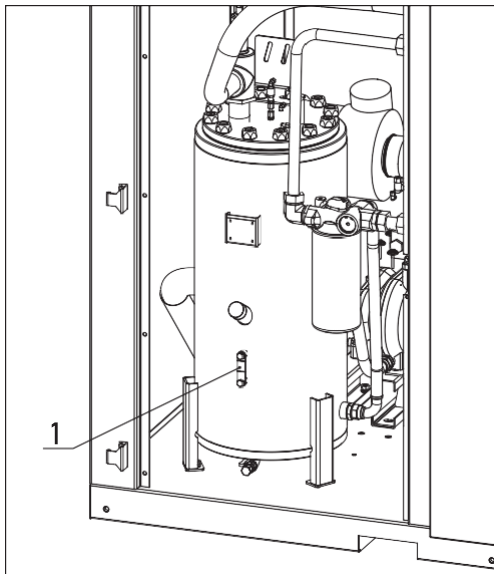
## 5.1 Wartungsplan

Wartungsplan

|                       | Täglich               | Monatlich | Jährlich      | Wartungsintervalle (Arbeitsstunden) |             |             |             |
|-----------------------|-----------------------|-----------|---------------|-------------------------------------|-------------|-------------|-------------|
|                       |                       |           |               | M-1                                 | M-2         | M-3         | M-2         |
|                       |                       |           |               | 500                                 | 2000        | 4000        | 6000        |
| Ölstand               | Prüfen/<br>Nachfüllen |           |               |                                     |             |             |             |
| Kompressoröl          |                       |           |               | Austauschen                         | Austauschen | Austauschen | Austauschen |
| Luftfilter*           |                       | Reinigen  |               |                                     | Austauschen | Austauschen | Austauschen |
| Ölfilter              |                       |           |               | Austauschen                         | Austauschen | Austauschen | Austauschen |
| Luft-Öl Separator     |                       |           |               |                                     |             | Austauschen |             |
| Antriebsriemen        |                       | Prüfen    |               |                                     |             | Austauschen |             |
| Wärmeaustauscher      |                       | Reinigen  |               |                                     |             |             |             |
| Lagerung Elektromotor |                       |           | nachschmieren |                                     |             |             |             |
| Einlassventil         |                       |           | Prüfen        |                                     |             |             |             |
| Mindestdruckventil    |                       |           | Prüfen        |                                     |             |             |             |
| Sicherheitsventil     |                       |           | Prüfen        |                                     |             |             |             |

Wenn 6000 Betriebsstunden erreicht sind, sollte alternativ alle 2000 Stunden nach Plan M-2 oder M-3 gewartet werden. Tägliche, wöchentliche, monatliche und jährliche Wartungsarbeiten ersetzen nicht die zeitlich vorgegebenen Wartungsintervalle.

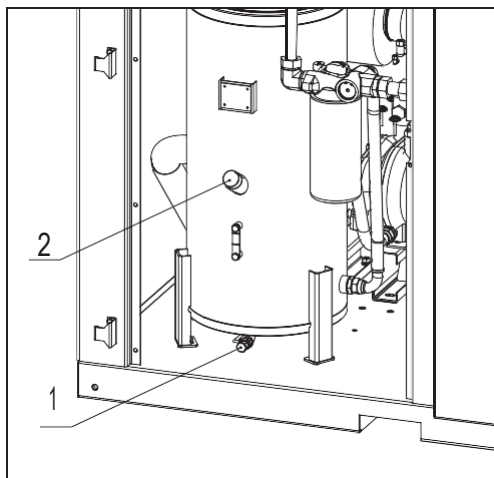
## 5.2 Prüfen des Ölstands



Kontrollieren Sie den Ölstand täglich. Um den Ölstand zu erreichen, stoppen Sie den Kompressor und entfernen Sie das Frontpanel. Der Ölstand kann visuell am Ölstandsanzeiger (1) des Kompressors abgelesen werden, wenn dieser abgeschaltet ist. Der Ölstand muss immer im Sichtglas zu erkennen sein. Wenn dies nicht der Fall ist, muss neues Öl nachgefüllt werden. Nutzen Sie ein Vorspannungsmessgerät, um die Spannkraft des Riemens zu prüfen.

Bild 5.2 Ölstandsüberwachung

## 5.3 Austausch des Öls und der ÖlfILTER



Öffnen Sie das Frontpanel und drehen Sie den Stopfen des Einfüllstutzens (2) eine Umdrehung im Uhrzeigersinn, um den Systemdruck zu entlüften. Jetzt können Sie den Stopfen entfernen. Auch den Stopfen des Ablassventils (1) im Boden des Luft-/Ölabscheide tanks müssen Sie entfernen. Lassen Sie das Öl in einen separaten Behälter ab, nachdem Sie das Ablassventil geöffnet haben. Befüllen Sie nun den Luft-/Ölabscheide tank erneut, bis der Ölstandsanzeiger mittig im Sichtglas mit Öl gefüllt ist. Befestigen Sie die Stopfen wieder an ihren ursprünglichen Positionen.

Bild 5.3.1 Austausch des Öls



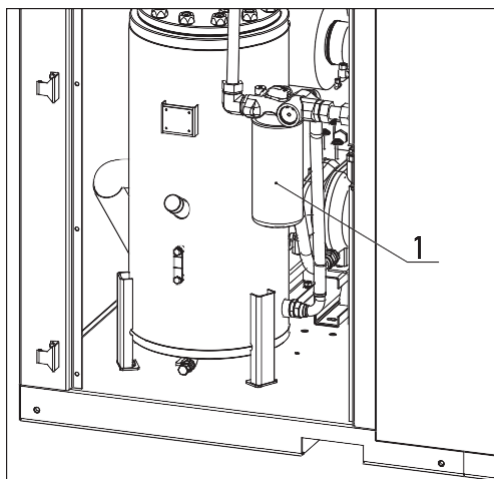


Bild 5.3.2 Austausch des Ölfilters

Öffnen Sie das Frontpanel. Entfernen Sie den Ölfilter (1) mithilfe eines Ölfilterschraubenschlüssels. Lassen Sie das Öl in ein separates Behältnis ab und reinigen Sie den Filtersitz.

Jetzt kann das Gewinde des neuen Filters geölt und per Hand eingeschraubt werden. Starten Sie den Kompressor, dann stoppen Sie ihn, und lassen ihn für mehrere Minuten im Leerlauf laufen, damit das Öl zirkulieren und die Luft aus dem System entfernt werden kann. Warten Sie einige Minuten, bis sich das Öl in den Leitungen gesetzt und sich der innere Druck reguliert hat. Wenn nötig, schrauben Sie den Einfüllstopfen auf und befüllen Sie, bis der Ölstandsanzeiger mittig im Sichtglas mit Öl gefüllt ist. Setzen Sie den Stopfen wieder an seiner ursprünglichen Position ein und ziehen Sie ihn wieder an.

## 5.4 Austausch des Luftfilters

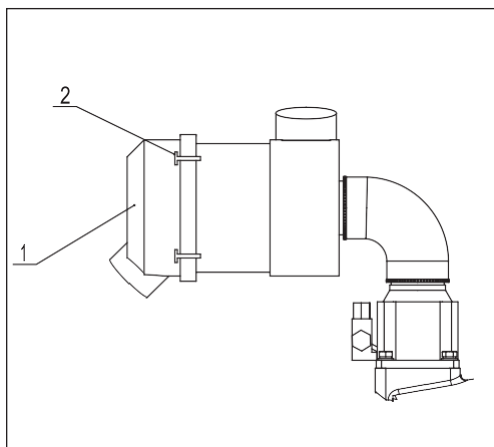


Bild 5.4 Austausch des Luftfilters

Der Luftfilter (1) ist am Einlassventil des Kompressors angeordnet. Öffnen Sie das Frontpanel und entfernen Sie die Schelle (2). Sie können den verschmutzten Luftfilter und die Befestigungsschelle sicher demontieren.

Nun setzen Sie den Filter ein und fixieren ihn erneut.

## 5.5 Austausch des Luft/Öl-Separators

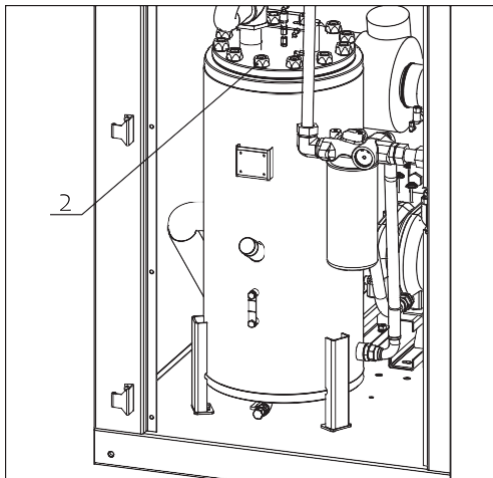


Bild 5.5 Austausch des Luft/Öl-Separator

Das Separatorbauteil (1) ist innerhalb des Separatorbehälters angeordnet. Öffnen Sie das Frontpanel, um es auszutauschen. Lösen Sie die Schrauben (2) und entfernen Sie sorgfältig den Deckel auf der Behälteroberseite. Lösen Sie dafür bei Bedarf einige Schlauchanschlüsse. Entfernen Sie den verbrauchten Separator und installieren an einen neuen. Montieren Sie den Behälterdeckel wieder vollständig.

## 5.6 Wärmeaustauscher reinigen

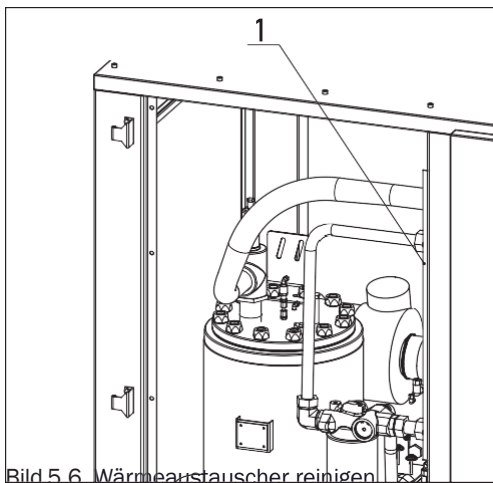


Bild 5.6 Wärmeaustauscher reinigen

Öffnen Sie das Frontpanel um den Wärmeaustauscher (1) zu erreichen. Reinigen Sie den Wärmeaustauscher regelmäßig um die Kühlung optimal zu halten. Entfernen Sie Staub und Schmutz mit einer weichen Bürste, dann blasen Sie den Wärmeaustauscher von unten nach oben mit Druckluft ab. Die Düse sollte im 90° Winkel zu der Kompressorebene gehalten werden.

## 5.7 Kontrolle des Ansaugventils

Um das Ansaugventil zu erreichen, muss der Luftfilter wie in Abschnitt 5.4 entfernt werden. Öffnen Sie nun die Drosselklappe manuell um sicher zu gehen, dass es reibungslos und komplett geöffnet werden kann. Falls die Drosselklappe blockiert, oder nicht ordnungsgemäß arbeitet, muss ein neues Ventil eingebaut werden.

## 5.8 Wartung der Lagerung am Elektromotor

Während der Kompressor in Gebrauch ist, müssen die Motorlager mit frischem viskosem Schmiermittel (für Wälzlager) gewartet werden. Die Schmiermittel müssen mit einer speziellen Injektionspritze für viskose Schmiermittel in die Lagerdeckel eingebracht werden. Sie können die Ölmenge mit der folgenden Formel berechnen. Überschmieren Sie die Lager nicht. Das überflüssige Öl wird sonst aus den Lagern in den laufenden Motor gequetscht.

$$D_{\text{motor shaft}}^2 \text{ (mm)} \times 0.005 = M_{\text{(lubricant mass)}} \text{ (g)}.$$

Überschmieren Sie die Lager nicht. Das überflüssige Öl wird sonst aus den Lagern in den laufenden Motor gequetscht.

# 6. Fehlerbehebung

## 6.1 Fehlerbeschreibung und Fehlerbehebung

| Problem                                                                                 | Mögliche Fehler                                                                                                | Fehlerbehebung                                                               |
|-----------------------------------------------------------------------------------------|----------------------------------------------------------------------------------------------------------------|------------------------------------------------------------------------------|
| Der Kompressor startet mit Verzögerung und die Motorgeschwindigkeit steigt sehr langsam | Der Riemen wurde überspannt                                                                                    | Tighten the belt with the relevant load                                      |
|                                                                                         | Das Schmiermittel hat eine zu feste Konsistenz                                                                 | Replace the oil                                                              |
| Es pfeift während des Betriebes                                                         | Der Schlupf des Riemens ist zu groß                                                                            | Spannen Sie den Riemen nach (siehe auch 5.3 Überprüfung des Antriebsriemens) |
| Der Kompressor startet nicht und auf dem Display wird das Temperatursymbol angezeigt    | Die Umgebungstemperatur differenziert sich von der geforderten Betriebstemperatur (unter +5 °C or über +40 °C) | Sorgen Sie für eine Anpassung der Umgebungstemperatur                        |
| Der Kompressor überhitzt                                                                | Die Luftzirkulation im Gebäude ist zu gering                                                                   | Steigerung der Luftzirkulation<br>Im Gebäude                                 |
|                                                                                         | Ölstand zu tief                                                                                                | Öl nachfüllen                                                                |
|                                                                                         | Der Wärmeaustauscher ist verschmutzt                                                                           | Blasen Sie den Wärmeaustauscher von unten nach oben mit Druckluft ab         |
| Das Sicherheitsventil des Separator-Kessels ist aktiviert                               | Der Separator ist verschmutzt                                                                                  | Austauschen des Separators                                                   |
|                                                                                         | Der Druck ist zu hoch, über 13 Bar                                                                             | Setzen Sie den Betriebsdruck unter 13 bar                                    |

# 7. Lagerung und Entsorgung

## 7.1 Lagerbedingungen

Der Temperaturbereich zwischen  $-20^{\circ}\text{C}$  und  $+35^{\circ}\text{C}$  mit max. 85% relative Luftfeuchtigkeit sollte bei der Lagerung des Kompressors eingehalten werden.

## 7.2. Entsorgung des Öls und des Prozesskondensats

Benutztes Öl, verschmutzte Filter und Separatoren sollten in einem abgedichteten Container gelagert und von einem lokalen Recyclingunternehmen entsorgt werden. Achten Sie darauf, dass Öl nicht mit Regen- oder Grundwasser in berührung kommt. | Prozesskondensat beinhaltet Öl und Verunreinigungen. Die lokalen Umweltgesetze bestimmen den Grad der Kontamination des Prozesskondensats, das in die Kanalisation eingeleitet werden darf. Benutzen Sie Kondensatabscheider, um Öle und andere Verunreinigungen zu entfernen. Austauschelemente der Separatoren müssen genauso, wie mit Öl verunreinigte Reinigungstücher, professionell entsorgt werden.

© Comprag ®. Все права защищены.

Перепечатка текста и / или использование графики, допускается только с письменного разрешения Comprag®.

Производитель оставляет за собой право без уведомления потребителя вносить изменения в конструкцию изделий для улучшения их технологических и эксплуатационных параметров.

Вид изделий может незначительно отличаться от представленных на изображениях.

- 1. Правила техники безопасности**
  - 1.1 Символы, использованные в инструкции
  - 1.2 Общие меры безопасности
  - 1.3 Меры безопасности при вводе в эксплуатацию
  - 1.4 Меры безопасности при эксплуатации
  - 1.5 Меры безопасности при обслуживании и ремонте
- 2. Устройство и принцип работы**
  - 2.1 Технические данные
  - 2.2 Назначение
  - 2.3 Принцип работы
  - 2.4 Принцип действия
  - 2.5 Система регулировки
  - 2.6 Электрическая схема
  - 2.6 Данные электрических подключений
- 3. Ввод в эксплуатацию**
  - 3.1 Такелажные работы
  - 3.2 Габаритные размеры
  - 3.3 Подготовка помещения
  - 3.4 Подсоединения к линии сжатого воздуха
  - 3.5 Подключение к электропитанию
- 4. Эксплуатация**
  - 4.1 Панель управления
  - 4.2 Пуск компрессора
  - 4.3 Выключение компрессора
- 5. Настройка и сервисное обслуживание**
  - 5.1 График технического обслуживания
  - 5.2 Проверка уровня масла
  - 5.3 Замена масла и масляного фильтра
  - 5.4 Замена воздушного фильтра
  - 5.5 Замена сепарационного элемента
  - 5.6 Продувка радиатора охлаждения
  - 5.7 Проверка всасывающего клапана
  - 5.8 Обслуживание электродвигателя
- 6. Устранение неисправностей**
  - 6.1 Возможные неисправности
- 7. Хранение и утилизация**
  - 7.1 Хранение
  - 7.2 Утилизация

|  |                                                                                                                                                                                                                                                                                                                                                     |
|--|-----------------------------------------------------------------------------------------------------------------------------------------------------------------------------------------------------------------------------------------------------------------------------------------------------------------------------------------------------|
|  | Внимательно ознакомьтесь с технической документацией, инструкцией по эксплуатации и правилам техники безопасности. Большинство несчастных случаев при эксплуатации компрессорной техники происходит из-за несоблюдения правил безопасности. Не допускайте возникновения опасных ситуаций и соблюдайте соответствующие правила техники безопасности. |
|--|-----------------------------------------------------------------------------------------------------------------------------------------------------------------------------------------------------------------------------------------------------------------------------------------------------------------------------------------------------|

|  |                                                                                                                                 |
|--|---------------------------------------------------------------------------------------------------------------------------------|
|  | Производитель оставляет за собой право вносить изменения в конструкцию с целью улучшения продукции без уведомления потребителя! |
|--|---------------------------------------------------------------------------------------------------------------------------------|

# 1. Правила техники безопасности

## 1.1 Символы, используемые в инструкции

|  |                   |
|--|-------------------|
|  | Опасно для жизни. |
|  | Предупреждение.   |
|  | Внимание.         |

## 1.2 Общие правила безопасности

|  |                                                                                                                                                                                                                                                             |
|--|-------------------------------------------------------------------------------------------------------------------------------------------------------------------------------------------------------------------------------------------------------------|
|  | Вся ответственность за травмы или повреждения, полученные вследствие несоблюдения правил техники безопасности при установке, эксплуатации или обслуживанию, а также при несанкционированном использовании данного оборудования, возлагается на потребителя! |
|--|-------------------------------------------------------------------------------------------------------------------------------------------------------------------------------------------------------------------------------------------------------------|



1. Оператор должен неукоснительно соблюдать правила техники безопасности, предусмотренные этими инструкциями и местным законодательством!
2. При сравнении данных правил безопасности с правилами местного законодательства, необходимо выбирать те, которые предъявляют более жёсткие требования!
3. К эксплуатации, техническому обслуживанию и ремонту оборудования Comprag допускается только обученный обслуживающий персонал с соответствующей степенью профессиональной подготовки!
4. Сжатый воздух непосредственно после компрессора может содержать масла и углекислый газ и не является пригодным для дыхания! Необходимо провести очистку сжатого воздуха до класса чистоты воздуха пригодного для дыхания, соответствующего нормам местного законодательства!
5. Сжатый воздух – источник энергии высокой степени опасности. Запрещается использование сжатого воздуха не по назначению! Не применяйте его для чистки одежды и обуви, не направляйте рукава сжатого воздуха в сторону людей и животных! При использовании воздуха для чистки оборудования, делайте это с особой осторожностью с применением защитных очков!
6. Все работы по техническому обслуживанию, ремонту, настройке, монтажу и т.п. должны производиться при выключенном оборудовании, с отключенным от сети кабелем питания, с отсоединенными от изделия рукавами сжатого воздуха, работы необходимо проводить в защитных очках! Убедитесь, что оборудования отключено от сети сжатого воздуха и не находится под давлением!

## 1.3 Меры безопасности при вводе в эксплуатацию



Вся ответственность за травмы или повреждения, полученные вследствие несоблюдения правил техники безопасности при установке, эксплуатации или обслуживанию, а также при несанкционированном использовании данного оборудования, возлагается на потребителя!

1. Разгрузка/погрузка оборудования должна проводиться только при помощи соответствующих приспособлений или подъёмных механизмов. Ручной подъём и перемещение запрещены. Не оставляйте оборудование в подвешенном состоянии. При разгрузочных работах используйте каску.
2. Разместите изделие в сухом и чистом помещении, исключаяющим прямого воздействия атмосферных осадков. Помещение должно хорошо проветриваться; при необходимости обеспечьте принудительной вентиляцией.
3. Запрещается использовать изношенные, поврежденные или испорченные рукава сжатого воздуха. Убедитесь, что рукава по номинальному диаметру и рабочему давлению соответствуют данному оборудованию.

4. При использовании в системе нескольких компрессорных станций, каждый компрессор должен предполагать наличие ручного крана для возможности отсечения любого из них в случае возникновения внештатных ситуаций.
5. Не допускается наличие в атмосферном воздухе взрыво- и пожароопасных примесей, таких как: пары растворителей, углеродная пыль и т.п.
6. Обеспечьте свободный доступ к рукаву сжатого воздуха из компрессора. Не захламляйте его, не храните в непосредственной близости легковоспламеняющиеся материалы.
7. Не пережимайте, не деформируйте подводные рукава сжатого воздуха.
8. Не перекрывайте перфорации для обеспечения оборудования воздухом для охлаждения. Обеспечьте хорошее проветривание помещения.
9. При использовании дистанционного управления, изделие должно чётко и ясно сигнализировать об этом: **ВНИМАНИЕ:** Эта машина управляется дистанционно и может начать работу без предупреждения! Оператор, использующий дистанционный путь управления оборудованием, должен убедиться, что с изделием не проводится в этот момент никаких монтажных и прочих работ. После дистанционного выключения оборудования оператор должен убедиться, что оборудование действительно выключено!
10. Оборудование должно быть заземлено. Обеспечьте защиту от короткого замыкания. Пусковой рубильник должен находиться в непосредственной близости от оборудования и иметь защиту от несанкционированного запуска.



**Потребитель несет полную ответственность за соответствие условий эксплуатации электрического двигателя, установленного в оборудовании. Эксплуатация оборудования без защитной аппаратуры не допускается.** Защитная аппаратура должна обеспечивать защиту электрического двигателя от коротких замыканий, перегрузок (систематической и пусковой) и неполнофазных режимов. Установка защитной аппаратуры является обязанностью потребителя.

11. На оборудовании с автономной системой регулировки с функцией автоматического перезапуска рядом с панелью управления должна быть закреплена информационная табличка: **ВНИМАНИЕ:** Эта машина может начать работу без предупреждения!
12. Любые ёмкости и сосуды, работающие под давлением, должны быть оборудованы предохранительными клапанами! Запрещается любой несанкционированный монтаж, демонтаж или настройка прилагаемых предохранительных клапанов.

## 1.4 Меры безопасности при эксплуатации



Вся ответственность за травмы или повреждения, полученные вследствие несоблюдения правил техники безопасности при установке, эксплуатации или обслуживанию, а также при несанкционированном использовании данного оборудования, возлагается на потребителя!

1. Убедитесь, что рукава по номинальному диаметру и рабочему давлению соответствуют данному оборудованию. Перед запуском проверьте крепление каждого соединения рукава. Не полностью закреплённый рукав может стать причиной серьёзных травм!
2. Никогда не включайте оборудование, если есть подозрение на наличие в атмосферном воздухе легковоспламеняющихся примесей!
3. Оператор, использующий дистанционный путь управления оборудованием, должен убедиться, что с изделием не проводится в этот момент никаких монтажных и прочих работ! При этом на оборудовании должна быть прикреплена информационная табличка об этом: **ВНИМАНИЕ:** Эта машина управляется дистанционно и может начать работу без предупреждения!
4. Оператору запрещается работать с оборудованием, если он утомлен, находится под воздействием алкоголя, наркотических средств или лекарственных препаратов, вызывающих замедленную реакцию организма.
5. Запрещается работа оборудования с демонтированными элементами корпуса. Двери или панели могут быть открыты на непродолжительные моменты времени для осмотра и плановых проверок. При это рекомендуется использовать оборудования для защиты органов слуха.



В некоторых типах оборудования открытие дверей или снятие панелей во время работы может привести к его перегреву.

6. Персонал, находящийся в условиях или помещении где уровень звукового давления достигает или превышает значение 90 дБ (А), должен использовать защитные наушники.
7. Если атмосферный воздух, используемый для охлаждения оборудования, применяется при отоплении помещений, примите меры для его фильтрации, чтобы можно было использовать его для дыхания.
8. Периодически проверяйте:
  - наличие на своих местах предохранительных устройств и их крепление;
  - исправность и герметичность всех рукавов и трубопроводов;
  - отсутствие утечек;
  - затяжки крепёжных элементов и элементов конструкции;
  - все электрические кабели и контакты на исправность и безопасность;
  - работоспособность предохранительных устройств, наличие грязи и т.п.
  - все элементы конструкции находятся в рабочем состоянии, без износа.

## 1.5 Меры безопасности при обслуживании и ремонте



Вся ответственность за травмы или повреждения, полученные вследствие несоблюдения правил техники безопасности, при установке, эксплуатации или обслуживанию, а также при несанкционированном использовании данного оборудования, возлагается на потребителя!

1. Разрешается использовать только оригинальные запасные части и вспомогательные принадлежности. Использование запчастей других производителей может привести к непредсказуемым последствиям и, как результат, к несчастным случаям.
2. При проведении монтажных и ремонтных работ всегда используйте защитные очки!
3. Перед подключением или отключением оборудования отсоедините его от основной пневмосети. Убедитесь в отсутствии давления в рукавах!
4. Перед началом монтажных или прочих работ, убедитесь, что оборудование не нагружено давлением. Монтажные работы с оборудованием под давлением запрещены!
5. Все работы по техническому обслуживанию должны проводиться только тогда, когда температура элементов конструкции упадёт до комнатной.
6. Никогда не используйте для чистки элементов конструкции легковоспламеняющиеся растворители или тетрахлорид углерода. При протирке примите меры предосторожности против ядовитых паров чистящих жидкостей.
7. При проведении монтажных и ремонтных работ необходимо закрепить на панель управления информационную табличку для предотвращения от несанкционированного запуска. Например, «Не включать. Работают люди!»
8. Оператор, использующий дистанционный путь управления оборудованием, должен убедиться, что с изделием не проводится в этот момент никаких монтажных и прочих работ! При этом на оборудовании должна быть прикреплена информационная табличка об этом. Смотри 1.3.9.
9. Содержите помещение, в котором установлено оборудование, в чистоте. Открытые входные и выходные отверстия во время монтажа закрывайте сухой ветошью или бумагой, во избежание попадания мусора в оборудование.
10. 10. Запрещается проводить сварные и прочие подобные работы непосредственно вблизи данного оборудования, а также сосудов, работающих под давлением.
11. При малейшем подозрении на перегрев, воспламенение или другую внештатную ситуацию выключите оборудование. Незамедлительно обесточьте его. Не открывайте двери оборудования до тех пор, пока температура не упадёт до комнатной во избежание получения ожога или травмы.
12. Запрещается использование источников света с открытым пламенем для осмотра и ревизии оборудования.
13. Никогда не используйте едкие растворители, которые могут повредить материалы пневмосети.

14. После проведения монтажных и прочих работ убедитесь, что внутри не осталось инструмента, ветоши, запасных частей и т.п.
15. Особое внимание стоит уделять предохранительным клапанам. Тщательно следите за ними, вовремя удаляйте пыль и грязь. Ни при каких условиях они не должны утратить свой функционал. Помните, от их работы зависит Ваша безопасность!
16. Перед началом работы в штатном режиме после технического обслуживания или ремонта, проверьте, что рабочее давление, температура и прочие характеристики выставлены правильно. Убедитесь, что все управляющие и контролирующие устройства установлены и функционируют верно.
17. При замене фильтров, сепараторов и т.п., протрите сухой ветошью места их крепления от пыли, грязи, остатков масла.
18. Защитите двигатель, воздушный фильтр, электрические и регулирующие компоненты и т.п. от выпадения конденсата. Например, продуйте сухим воздухом.
19. Используйте защитные перчатки во время монтажных и ремонтных работ во избежание получения ожогов и травм. Например, при замене масла.

## 2. Технические данные



Несоблюдение данных инструкций, использование неоригинальных запчастей, отсутствие гарантийного талона может привести к прекращению действия гарантии.

### 2.1 Технические данные

| Артикул  | Модель | Мощность (кВт) | Рабочее давление (bar) | Производительность (м <sup>3</sup> /min) | Электропитание (фаза/В/Гц) | Щум (dB) | Соединение | Кол-во масла* (л) |
|----------|--------|----------------|------------------------|------------------------------------------|----------------------------|----------|------------|-------------------|
| 11300105 | DV7508 | 75             | 5-8                    | 12,80                                    | 3/380/50                   | 75       | DN 50      | 40                |
| 11300106 | DV7510 |                | 5-10                   | 11,30                                    |                            | 75       |            |                   |
| 11300115 | DV9008 | 90             | 5-8                    | 15,40                                    |                            | 75       |            |                   |
| 11300116 | DV9010 |                | 5-10                   | 13,40                                    |                            |          |            |                   |

\* Соответствует стандартам DIN 51506 VDL, ISO 6743/3A. Класс вязкости по ISO VG 46.

### 2.2 Назначение

Винтовые маслозаполненные компрессоры Comprac DV-серии предназначены для бесперебойного и экономичного производства сжатого воздуха на промышленных предприятиях. В компрессорах DV-серии для передачи энергии использован ременной привод от электродвигателя. Для управления параметрами компрессор оборудован контроллером v-LOG с LCD дисплеем, включающем в себя кнопки старт/стоп и экстренного останова.

## 2.3 Принцип работы

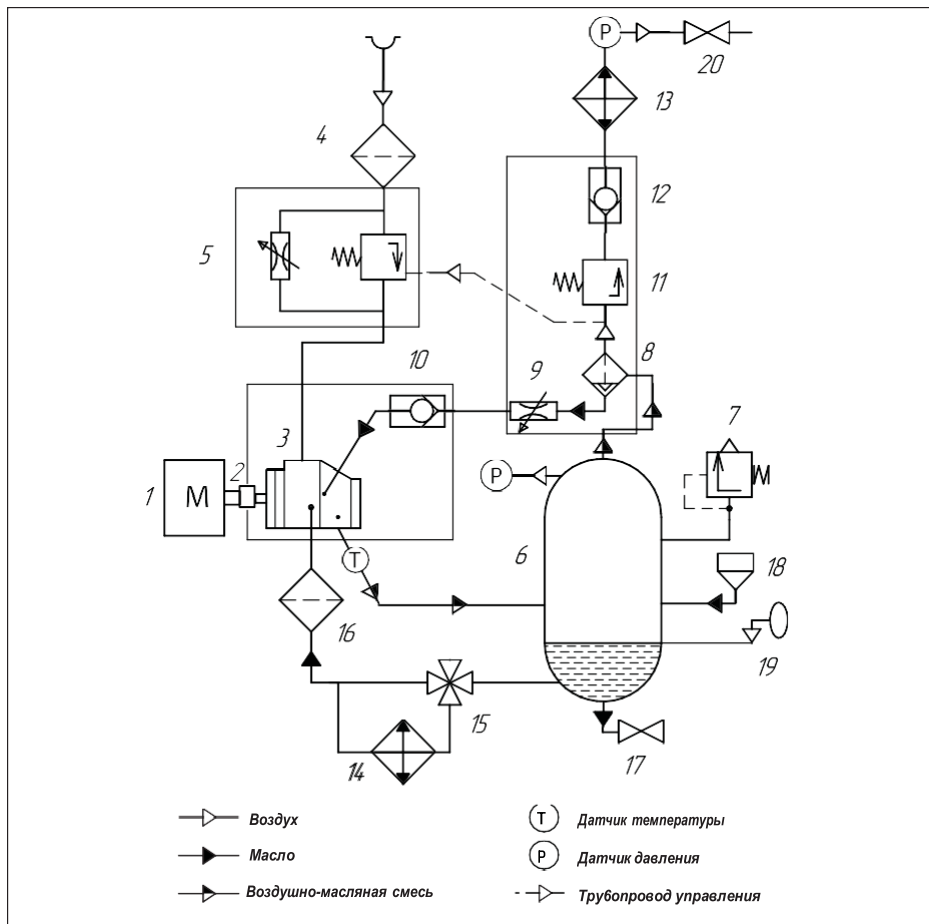


Рис. 2.3 Схема пневматическая DV75-90

### Основные компоненты

|    |                          |    |                               |
|----|--------------------------|----|-------------------------------|
| 1  | Электродвигатель         | 11 | Клапан минимального давления  |
| 2  | Муфта упругая            | 12 | Клапан обратный               |
| 3  | Блок винтовой            | 13 | Радиатор, секция воздуха      |
| 4  | Фильтр воздушный         | 14 | Радиатор, секция масла        |
| 5  | Клапан всасывающий       | 15 | Термостат                     |
| 6  | Бак-сепаратор            | 16 | Фильтр масляный               |
| 7  | Клапан предохранительный | 17 | Кран                          |
| 8  | Сепарационный элемент    | 18 | Пробка заливная               |
| 9  | Дроссель                 | 19 | Смотровой глазок уровня масла |
| 10 | Клапан обратный          | 20 | Кран, выход воздуха           |

## 2.4 Принцип действия (Смотри рис. 2.3)

### Воздух:

Очищенный при помощи воздушного фильтра (4) воздух, проходя через всасывающий клапан (5), попадает в блок винтовой (3). Одновременно с поступающим для охлаждения и смазки маслом, воздух сжимается до установленного на контроллере требуемого давления. Далее воздушно-масляная смесь попадает в бак-сепаратор (6), где большая часть масла сепарируется. Остатки масла отфильтровывает сепарационный элемент (8). Затем чистый воздух охлаждается, проходя через радиатор (13), и поступает потребителю.

### Масло:

Масло, отделённое от воздуха в баке-сепараторе (6), очищенное масляным фильтром (16), поступает обратно в винтовой блок (3) для охлаждения и смазки подшипников. Система циркуляции масла оборудована термостатом (15). Для быстрого нагрева компрессора масло проходит по системе по малому контуру, минуя радиатор (14). Сделано это для того, чтобы избежать конденсации на элементах компрессора, присутствующей в воздухе, влаги. При открытии термостата система поддерживает себя автоматически в диапазоне температуры срабатывания.

### Система охлаждения:

Система охлаждения – это комбинированный радиатор, состоящий из воздушной (13) и масляной (14) частей. Обдув происходит вентилятором, закреплённым непосредственно на валу электродвигателя. Обдув происходит вентилятором с отдельным электродвигателем.

## 2.5 Система регулировки

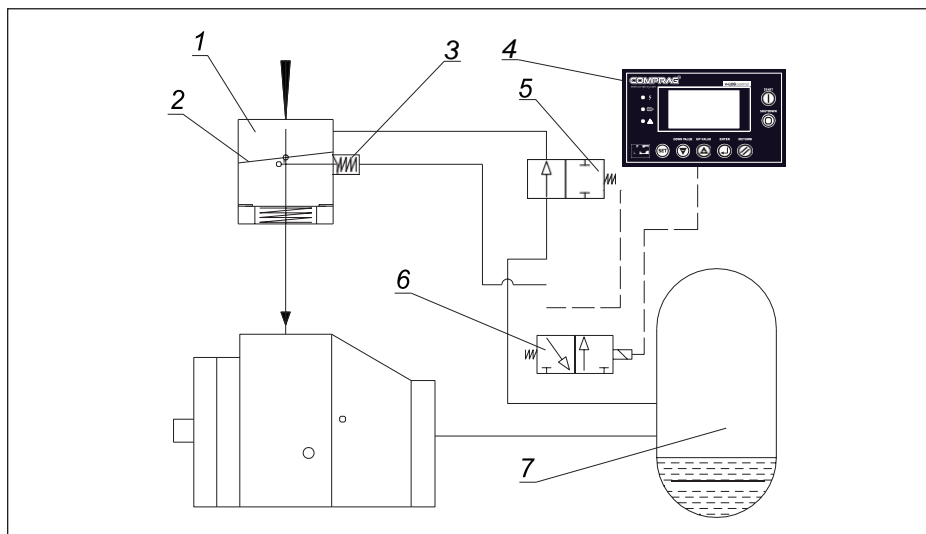


Рис. 2.5 Система регулировки



Для управления параметрами компрессор оборудован контроллером v-Log, который в автоматическом режиме отслеживает расход потребителем воздуха. При падении давления в пневмосети ниже установленного уровня, контроллер даёт команду на запуск компрессора. При достижении максимального установленного уровня, компрессор переходит в режим ожидания (холостой ход), время которого устанавливается на контроллере.

### **Разгрузка:**

Когда расход воздуха потребителем меньше, чем производительность компрессора, давление в пневмосети достигает установленного максимума. Электромагнитный клапан (6) прекращает регулировку системы:

1. Управляющий воздух перестаёт подаваться на заслонку (2) всасывающего клапана (1). Она закрывается под действием пружины (3). Всасывание воздуха прекращается.
2. Разгрузочный клапан (5) открывается и сбрасывает внутреннее давление в атмосферу, разгружая систему и бак-сепаратор (7).
3. Давление в системе стабилизируется, потребление воздуха отсутствует, компрессор переходит в режим ожидания: двигатель не выключается, создавая в системе небольшое давление для обеспечения компрессору облегчённого старта. Время режима ожидания до останова или включения компрессора может быть установлено на контроллере в зависимости от условий потребления.

### **Нагрузка:**

С увеличением потребления воздуха, давление в пневмосети падает до минимального установленного предела, электромагнитный клапан (6) возобновляет регулировку. Управляющий воздух подаётся на пружину (3). Заслонка (2) открывается. Разгрузочный клапан (5) закрывается. Всасывание воздуха возобновляется. Компрессор переходит в режим 100% нагрузки.

## 2.6 Схема электрическая принципиальная

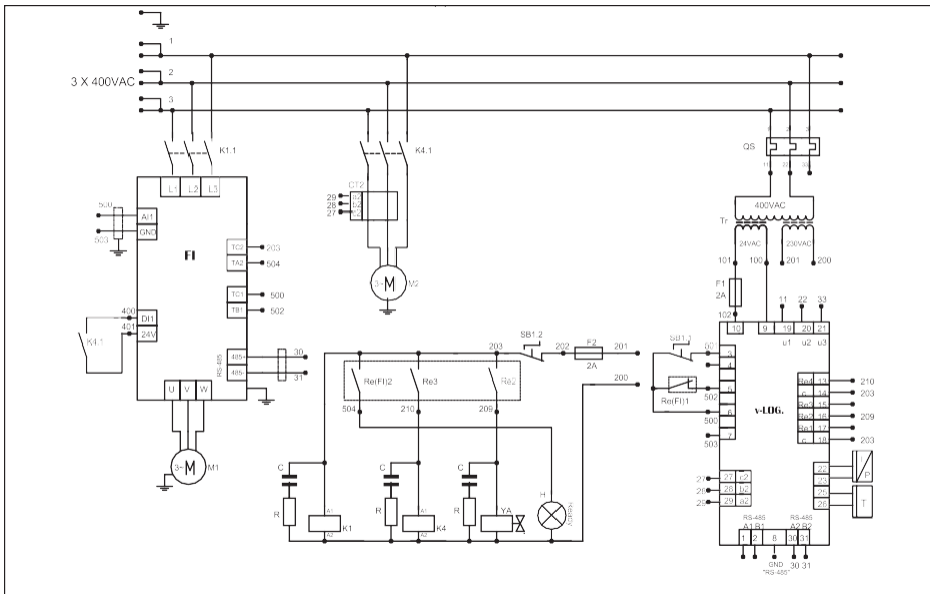


Fig. 2.6 Схема электрическая DV75-90

Основные компоненты


|        |                            |       |                            |
|--------|----------------------------|-------|----------------------------|
| K1--K4 | Контактор                  | YA    | Клапан электромагнитный    |
| M1, M2 | Электродвигатель           | QS    | Выключатель автоматический |
| T      | Датчик температуры         | CT2   | Трансформатор тока         |
| I/P    | Датчик давления            | R,C   | RC-цепочка                 |
| SB     | Кнопка аварийной остановки | Tr    | Трансформатор              |
| F1, F2 | Предохранитель.            | v-LOG | Контроллер                 |
| FI     | Преобразователь частоты    | H     | Светодиодный индикатор     |

## 2.7 Данные электрических подключений

| Напряжение (В)                                                 | Частота (Гц) | DV75.. | DV90.. |
|----------------------------------------------------------------|--------------|--------|--------|
| Материал кабеля - медь. Сечение жилы кабеля (мм <sup>2</sup> ) |              |        |        |
| 380                                                            | 50           | 70     | 95     |
| Предохранители (А)                                             |              |        |        |
| 380                                                            | 50           | 160    | 200    |

## 3. Ввод в эксплуатацию

### 3.1 Такелажные работы

|                                                                                   |                                                                                                                   |
|-----------------------------------------------------------------------------------|-------------------------------------------------------------------------------------------------------------------|
|  | <p>Присутствие на изделии вмятин, сколов и прочих повреждений может привести к прекращению действия гарантии.</p> |
|-----------------------------------------------------------------------------------|-------------------------------------------------------------------------------------------------------------------|

Проверьте визуально отсутствие повреждения упаковки, если повреждений нет, поставьте блок рядом с выбранным местом монтажа и распакуйте. Перемещение оборудования должно проводиться только при помощи соответствующих приспособлений или подъёмных механизмов. Ручной подъём и перемещение запрещены. Даже в упаковке, держите оборудование в защищенном от воздействия погодных явлений месте.

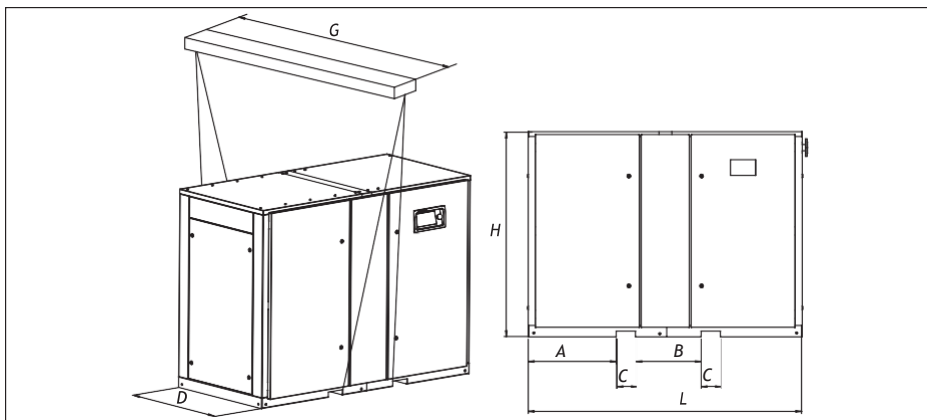


Рис. 3.1 Схема для такелажных работ DV75-90

| A, mm | B, mm | C, mm | L, mm | H, mm | D, mm | G, mm |
|-------|-------|-------|-------|-------|-------|-------|
| 802   | 600   | 176   | 2550  | 1880  | 1260  | 1400  |

## 3.2 Габаритные размеры

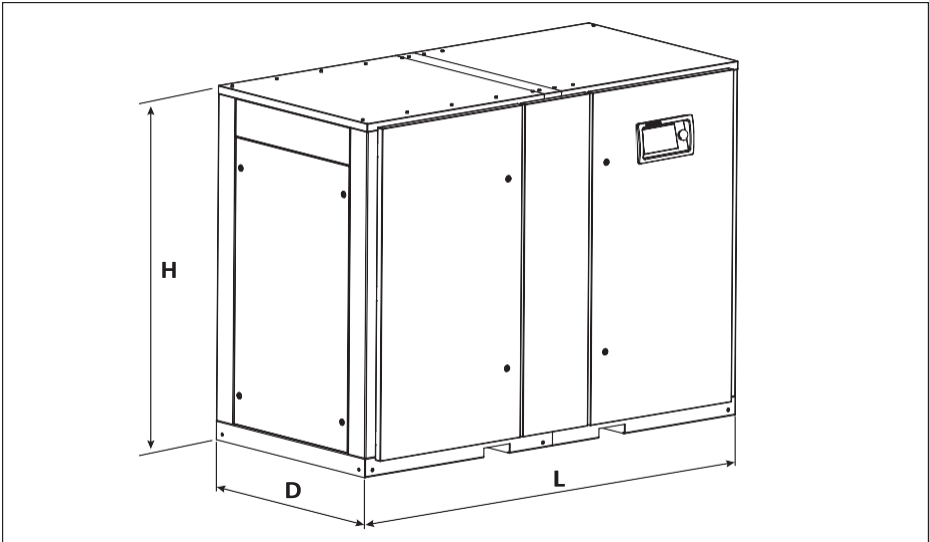


Рис. 3.2 Габаритные размеры DV75 – 90

| Модель | Размеры компрессора |                 |                 |              | Размеры в упаковке |                 |                 |              |
|--------|---------------------|-----------------|-----------------|--------------|--------------------|-----------------|-----------------|--------------|
|        | Длина<br>L, мм      | Ширина<br>D, мм | Высота<br>H, мм | Масса,<br>кг | Длина<br>L, мм     | Ширина<br>D, мм | Высота<br>H, мм | Масса,<br>кг |
| DV75   | 2550                | 1260            | 1880            | 2200         | 2760               | 1360            | 2010            | 2285         |
| DV90   |                     |                 |                 | 2370         |                    |                 |                 | 2455         |

### 3.3 Подготовка помещения

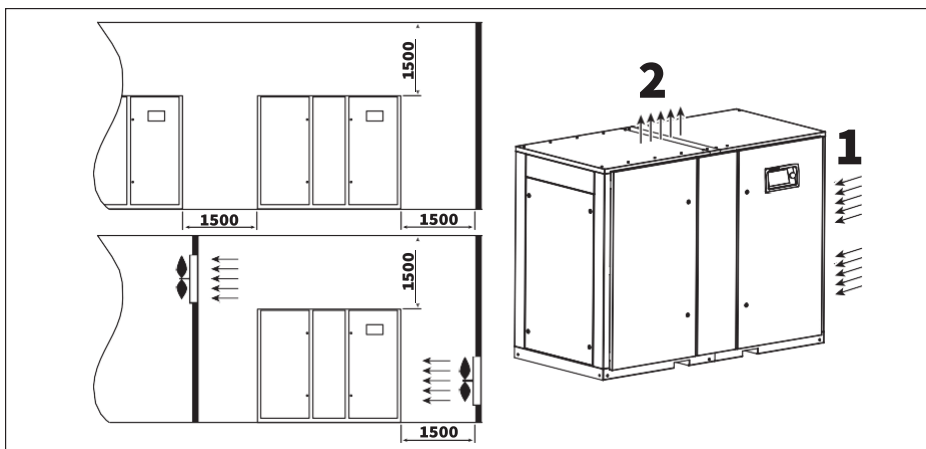


Рис. 3.3 Схема установки компрессора DV75-90

1. Забор воздуха компрессором

2. Выход воздуха из компрессора

Минимальные требования для установки:

- Выберите чистое не запылённое и сухое помещение, защищённое от атмосферных осадков.
- В помещении пол должен быть ровный, горизонтальный и выдерживать вес компрессора. Если компрессор не закреплён к полу, угол отклонения пола не должен превышать  $3^\circ$ . В случае крепления, максимальное отклонения должно составлять  $7^\circ$ .
- Минимальная температура окружающей среды  $+5^\circ\text{C}$ .
- Максимальная температура окружающей среды  $+40^\circ\text{C}$ .
- В помещении должен быть предусмотрен приток свежего воздуха в объёме, соответствующем двукратной производительности компрессора.
- В помещении, оборудованном приточно-вытяжной механической вентиляцией, объем воздуха вытяжной вентиляции не должен превышать 40% объема воздуха приточной вентиляции.



Размещение компрессора в ненадлежащих окружающих условиях может привести к потере его работоспособности вследствие сверхвысоких нагрузок. Поломки компрессора, вызванные неправильной эксплуатацией, не рассматриваются как гарантийные

Не блокируйте, даже частично, вентиляционную перфорацию компрессора и осушителя. Избегайте возможной рециркуляции воздуха от других источников тепла.

### 3.4 Подсоединение к линии сжатого воздуха

Все работы по подключению компрессорного оборудования должны проводиться при отсутствии давления в пневмосети. Операции по подключению к линии сжатого воздуха должны производиться только квалифицированным специалистом. Размеры и рабочие характеристики рукавов и арматуры должны соответствовать количеству и давлению подаваемого воздуха из компрессора. Занижение может привести к разгерметизации системы и стать причиной травм оператора и повреждений оборудования. При использовании дополнительных ресиверов, подбирайте их в зависимости от потребления сжатого воздуха и производительности компрессора.

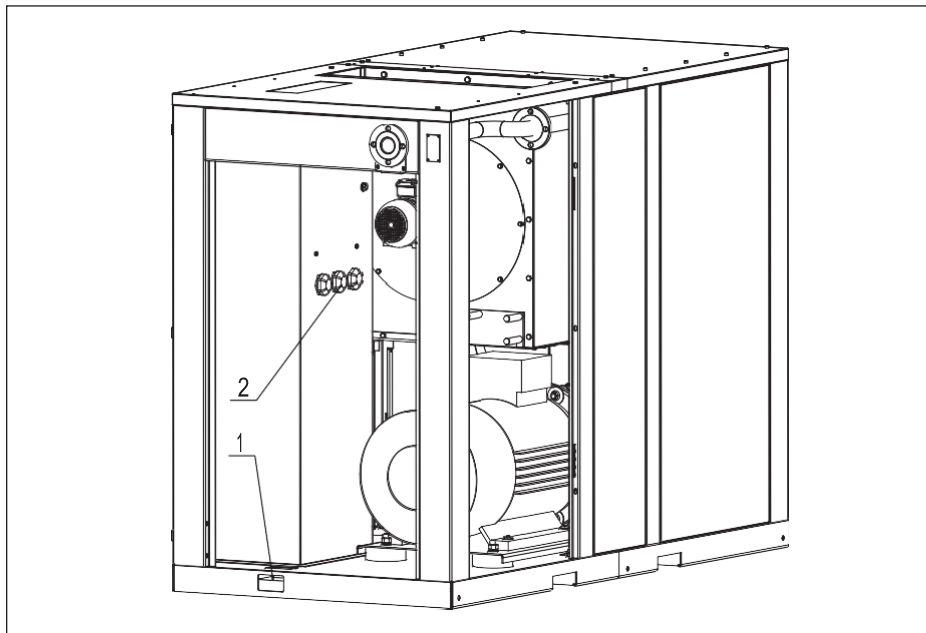
### 3.5 Подключение к электропитанию

Компрессор не комплектуется кабелем питания. Сечение кабеля необходимо подобрать в соответствии с потребляемой мощностью компрессора (смотри идентификационную табличку на корпусе). Кабель должен быть в оплетке (оболочке), не поддерживающей горение. Сечение силового кабеля должно выдерживать потенциально возможные скачки напряжения в пределах +5%. Длина кабеля не должна превышать 25м. Силовой кабель должен быть заведён внутрь компрессора.



Компрессор должен быть заземлён и защищён то короткого замыкания. Также примите меры для защиты от колебаний напряжения

Рис. 3.5. Подвод силового кабеля



Снимите правую панель и пропустите кабель сквозь специальное отверстие (1) в основании

компрессора. Затем пропустите его через пластиковый ввод (2). Подключите силовую кабель согласно электрической схеме. Смотри пункт 2.6.

## 4. Эксплуатация



К эксплуатации компрессора допускается только квалифицированный персонал.

### 4.1 Панель управления

Для управления параметрами, компрессоры DV30 – DV90 оборудованы контроллером v-LOG и инвертором, которые в автоматическом режиме отслеживает расход потребителем воздуха. При изменении давления в контуре (компрессор ресивер) ниже или выше установленного уровня, контроллер даёт команду на изменение скорости вращения двигателя компрессора, чтобы давление не изменялось. При достижении максимального установленного давления, компрессор переходит в режим ожидания (холостой ход), время которого устанавливается на контроллере.

Также в контроллере предусмотрена долговременная память для хранения оперативных данных: времени наработки, значений счетчиков, состояний системы и т.д.

## 4.1.1 Общий вид контроллера v-Log

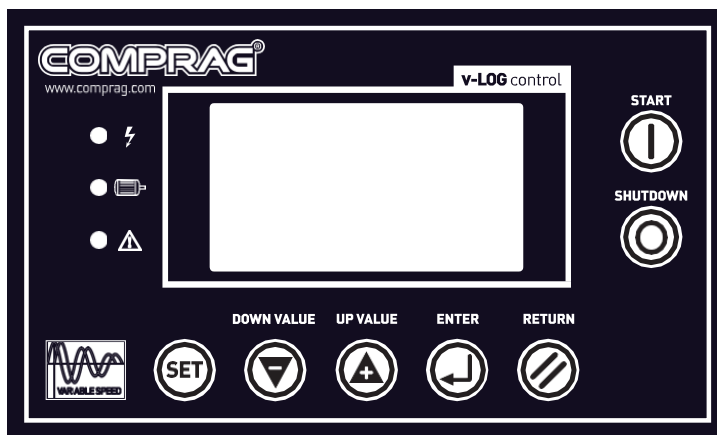


Рис. 4.1.1 Панель управления

|  |                                               |  |       |
|--|-----------------------------------------------|--|-------|
|  | Пуск компрессора                              |  | Вверх |
|  | Остановка компрессора                         |  | Вниз  |
|  | Возврат в основное меню                       |  | Ввод  |
|  | Кнопка установки. Кнопка загрузки / разгрузки |  |       |

## 4.1.2 Индикация

|  |                                                                                                                                                                                                                                                                            |
|--|----------------------------------------------------------------------------------------------------------------------------------------------------------------------------------------------------------------------------------------------------------------------------|
|  | Индикатор питания (красный): индикатор загорается при включении контроллера. Напряжение подано.                                                                                                                                                                            |
|  | Индикатор работы (зелёный): индикатор загорается, когда двигатель работает. Компрессор под нагрузкой.                                                                                                                                                                      |
|  | Индикатор тревоги (красный): индикатор мигает при тревоге; индикатор горит, когда компрессор остановлен по сигналу «авария» (сопровождается звуковым сигналом); Индикатор выключен, когда ошибка устранена. Для сброса ошибки нажмите и удерживайте кнопку возврата в меню |



## Информационный LED дисплей.

После включения питания экран дисплея отобразит следующее:

|                                   |
|-----------------------------------|
| COMPRAG ВОЗДУШ-<br>НЫЙ КОМПРЕССОР |
|-----------------------------------|

Через 5 секунд высветятся основные параметры компрессора. Параметры отображают текущее состояние компрессора:

|           |        |                            |                                 |
|-----------|--------|----------------------------|---------------------------------|
| 21 °C     | 0.00HZ | Температура масла, °C      | Частота тока, HZ                |
| 0.0BAR    | ORPM   | Давление в сети, BAR       | Частота вращения двигателя, RPM |
| ОСТАНОВКА |        | Состояние компрессора      |                                 |
| 0.00V     | 0.0kW  | Напряжение на выходе ПЧ, V | Потребляемая мощность, kW       |

Нажмите  для входа в меню выбора:

|                 |                                                 |
|-----------------|-------------------------------------------------|
| ПАРАМ. РАБОТЫ   | Вход в меню ПАРАМ. РАБОТЫ                       |
| ПАРАМ. ЭКСПЛУАТ | вход в меню ПАРАМ. ЭКСПЛУАТ (вход через пароль) |
| ПАРАМ. ЗАВОДА   | вход в меню ПАРАМ. ЭКСПЛУАТ (вход через пароль) |

## Описание параметров «Параметры работы»

Выберите строку «ПАРАМ. РАБОТЫ» кнопками  ,  и нажмите  . Данные параметры отражаются только для просмотра текущих настроек изделия.

|                 |
|-----------------|
| ВЕНТ, VSD ПАРАМ |
| ОБЩЕЕ ВРЕМЯ РАБ |
| ТЕК. ВРЕМЯ РАБ  |
| ПАРАМ. СЕРВИСА  |
| ИСТОРИЯ ОШИБОК  |
| ДАТА ВЫП, НОМЕР |
| ТЕК. ОШИБКА     |
| ОПИСАНИЕ        |

Выберите строку «ВЕНТ, VSD ПАРАМ» и нажать кнопку  .

|                 |                                               |
|-----------------|-----------------------------------------------|
| ЧАСТОТА: 0.0HZ  | На выходе преобразователя частоты (инвентора) |
| НАПРЯЖЕНИЕ 0.0V |                                               |
| ТОК: 0.0A       |                                               |
| МОЩНОСТЬ: 0.0KW |                                               |
| ВЕНТ. ТОК(A)    | Ток по фазам двигателя вентилятора            |
| A: 0.0          |                                               |
| B: 0.0          |                                               |
| C: 0.0          |                                               |

«ОБЩЕЕ ВРЕМЯ РАБ» и нажать кнопку .

«ОБЩЕЕ ВРЕМЯ РАБ»

|                  |                                                                                           |
|------------------|-------------------------------------------------------------------------------------------|
| ОБЩЕЕ ВРЕМЯ РАБ: | Общее время наработки (главный двигатель работает).                                       |
| ОБЩЕЕ ВРЕМЯ НАГ: | Общее время работы под нагрузкой (главный двигатель работает, клапан всасывающий открыт). |

«ТЕК. ВРЕМЯ РАБ»

|                 |                                                             |
|-----------------|-------------------------------------------------------------|
| ТЕК. ВРЕМЯ РАБ: | Текущее время работы от последнего включения.               |
| ТЕК. ВРЕМЯ НАГ: | Текущее время работы под нагрузкой от последнего включения. |

«ПАРАМ. СЕРВИСА»

|                   |                                                          |
|-------------------|----------------------------------------------------------|
| ВРЕМЯ В РАБ(Н)    | Время в работе (часы).                                   |
| МАСЛ ФИЛЬТР:0000Н | Время в эксплуатации. Отображает время с последнего ТО.* |
| СЕПАРАТР: 0000Н   | Время в эксплуатации. Отображает время с последнего ТО.* |
| ВОЗД ФИЛЬТР:0000Н | Время в эксплуатации. Отображает время с последнего ТО.* |
| МАСЛО: 0000Н      | Время в эксплуатации. Отображает время с последнего ТО.* |
| СМАЗКА М1: 0000Н  | Время в эксплуатации                                     |
| РЕМНИ: 0000Н      | Время в эксплуатации                                     |

\* Прописываются в «Параметры эксплуатации/МАХ ВРЕМЯ РАБ». После проведения ТО время сбрасывается (Смотри «Параметры эксплуатации/СБР ВРЕМЯ СЕРВИС».

«ИСТОРИЯ ОШИБОК»

|                  |                                           |
|------------------|-------------------------------------------|
| «ИСТОРИЯ ОШИБОК» | Для просмотра открыто 5 последних ошибок. |
|------------------|-------------------------------------------|

«ДАТА ВЫП, НОМЕР»

|                 |                                              |
|-----------------|----------------------------------------------|
| ДАТА ВЫП, НОМЕР | Дата выпуска и порядковый номер компрессора. |
|-----------------|----------------------------------------------|

«ТЕК. ОШИБКА»

|               |                            |
|---------------|----------------------------|
| «ТЕК. ОШИБКА» | Активная ошибка (см. ниже) |
|---------------|----------------------------|

«ОПИСАНИЕ»

|                  |
|------------------|
| ВЕРСИЯ: 01-40-03 |
| ПАР:СК0968-М0003 |
| УТФСЕ123456789А  |

Если в текущем меню не производится никаких действий 60 секунд, контроллер автоматически вернется в главное меню.




### Описание параметров «Параметры эксплуатации»

Данный пункт меню разрешён для просмотра, но защищён паролем от изменений. Для изменений в настройках компрессора обратитесь к Вашему региональному дилеру.

Нажмите  для входа в меню выбора:

Кнопками ,  выберите «ПАРАМ. ЭКСПЛУАТ» нажмите .

|                    |        |
|--------------------|--------|
| ДАВЛ/ТЕМП/ЧАСТ УСТ |        |
| ВРЕМЯ              | УСТ    |
| РЕЖИМ              | РАБОТЫ |
| SEQ ПАРАМ          | УСТ    |
| СБР ВРЕМЯ          | СЕРВИС |
| МАХ ВРЕМЯ          | РАБ    |
| ПАРАЛ ПОЛЬЗ:       | XXXX   |
| ЯЗЫК:              | RU     |

Кнопками  ,  выберите «ДАВЛ/ТЕМП/ЧАСТ УСТ» нажмите  . (Ниже указаны установленные значения для компрессора с макс. рабочим давлением 8,0 бар.)

|            |           |                                                                |
|------------|-----------|----------------------------------------------------------------|
| Р НАГР:    | 05.2 bar  | Давление нагрузки(установленное значение 5.2bar).              |
| Р РАЗГ:    | 08.0 bar  | Давление разгрузки(установленное значение 8.0bar).             |
| Р ЧАСТ:    | 007.0 BAR | Заданное давление. Варьируется от 5,2 до 7,8Бар. 8,0Бар – мах. |
| ВЕНТ. ON:  | 0095 °С   | Температура включения вентилятора(установленное значение).     |
| ВЕНТ. OFF: | 0060 °С   | Температура выключения вентилятора(установленное значение).    |
| НОМ. МОЩН: | 55.0kW    | Мощность(максимально разрешенная).                             |
| НОМ. СКОР: | 2940RPM   | Номинальная частота вращения двигателя.                        |

«ВРЕМЯ УСТ»

|              |       |                                                                                                  |
|--------------|-------|--------------------------------------------------------------------------------------------------|
| ВЕНТ ЗАДЕР:  | 0002S | Время игнорирования нагрузки двигателя вентилятора.                                              |
| НАГР ЗАДЕР:  | 0002S | Задержка команды на открытие «Клапана всасывающего».                                             |
| ХОЛ. ЗАДЕР:  | 0010S | Время холостого хода. Главный двигатель работает, клапан всасывающий закрыт.                     |
| ОСТ. ЗАДЕР:  | 0015S | Задержка времени остановки эл. двигателя.                                                        |
| СТАР :       | 0090S | Задержка на включение. Время разгрузки бака сепаратора, повторный запуск компрессора невозможен. |
| СКОР УВЕЛИЧ: | 0625  | Ограничить вычисления PID, в случае, когда частота увеличивается слишком быстро.                 |
| СКОР УМЕНЬШ: | 0625  | Ограничить вычисления PID, в случае, когда частота уменьшается слишком быстро.                   |

«РЕЖИМ РАБОТЫ»

|                   |                                                                                                                                                                                                       |
|-------------------|-------------------------------------------------------------------------------------------------------------------------------------------------------------------------------------------------------|
| УПРАВ: УДАЛ/ЛОКАЛ | «ЛОКАЛ»-компрессор вкл/выкл.: только кнопкой на контроллере.<br>«УДАЛ»-компрессор можно вкл/выкл.: 1)кнопкой на контроллере и или дистанционно через порт RS485.                                      |
| НАГРУЗ: АВТО/РУЧН | «АВТО»-нагрузка/разгрузка выполняется автоматически изменением давления воздуха.<br>«РУЧН»-нагрузка/разгрузка выполняется кнопкой «SET », а если давление превысит «Р РАЗГ:», компрессор разгрузится. |

|                  |                                                                                                                                                                                                                                                                                                                             |
|------------------|-----------------------------------------------------------------------------------------------------------------------------------------------------------------------------------------------------------------------------------------------------------------------------------------------------------------------------|
| СОЕД: PC/BAN/GRP | «PC»-компрессор работает в режиме ведомого устройства, а при отсутствии связи через порт RS485 компрессор работает в режиме «нагрузка/разгрузка».<br>«BAN»-порт RS485 отключен, компрессор работает в режиме «нагрузка/разгрузка».<br>«GRP»-режим «Группа», от 2 до 16 компрессоров соединены между собой через порт RS485. |
| СЕТЬ АДРЕС: 00XX | Адрес связи.                                                                                                                                                                                                                                                                                                                |

«SEQ ПАРАМ УСТ» для V-LOG «GRP»-режим «Группа»

|                       |                                                                                                                                                                                      |
|-----------------------|--------------------------------------------------------------------------------------------------------------------------------------------------------------------------------------|
| ГРУП: ВЕДУЩ/ВЕДОМ     | Ведущий управляет ведомым.<br>«GRP»-режим «Группа», у ведущего компрессора №1.<br>«GRP»-режим «Группа», у ведомого компрессора №2...16.                                              |
| ГРУП РЕЖ: VF-PF/VF-VF | VF - PF: компрессор VF и компрессор PF работа в режиме группа.<br>VF - VF: компрессор VF и компрессор VF работа в режиме группа.                                                     |
| НОМ В ГРУП: 0000      | Количество компрессоров в группе.                                                                                                                                                    |
| ГРУП ПЕРЕК: 0099H     | Когда «master AIR P» находится между «ГР НАГР» и «ГР РАЗГ», ведущий определяет подчиненное устройство для альтернативной работы после работы в течение этого установленного времени. |
| ГР НАГР: 006.5BAR     | В режиме «Группа» один компрессор запустится или загрузится, когда «master AIR P» «буде ниже этого набора данных.                                                                    |
| ГР РАГР: 007.5BAR     | В режиме «Группа» один компрессор остановится или разгрузится, когда «master AIR P» « выше этого набора данных                                                                       |
| ГР ЗАДЕРЖ: 0200S      | Задержка между командами ведущего.                                                                                                                                                   |

«СБР ВРЕМЯ СЕРВИС»

|                    |                                                        |
|--------------------|--------------------------------------------------------|
| МАСЛ ФИЛЬТР: 0000H | Установить в 0 после замены.                           |
| СЕПАРАТОР: 0000H   | Установить в 0 после замены.                           |
| ВОЗД ФИЛЬТ: 0000H  | Установить в 0 после замены.                           |
| МАСЛО: 0000H       | Установить в 0 после замены (масло в баке сепаратора). |

|                  |                                                                    |
|------------------|--------------------------------------------------------------------|
| СМАЗКА М1: 0000H | Главный двигатель смазка (производителем не регламентируется).     |
| РЕМНИ: 0000H     | Ремни клиноременной передачи (производителем не регламентируется). |

«МАХ ВРЕМЯ РАБ»

|                   |                                                                  |
|-------------------|------------------------------------------------------------------|
| МАСЛ ФИЛЬТР:0500H | Установить время до следующей замены.*                           |
| СЕПАРАТОР: 4000H  | Установить время до следующей замены.*                           |
| ВОЗД ФИЛЬТ: 2000H | Установить время до следующей замены.*                           |
| МАСЛО: 0500H      | Установить время до следующей замены (масло в баке сепаратора).* |

\*Данные значения устанавливаются согласно очередности проведения ТО согласно пункту 5.1.

|                  |                                                                            |
|------------------|----------------------------------------------------------------------------|
| СМАЗКА М1: 0000H | Установить время до следующей замены (производителем не регламентируется). |
| РЕМНИ: 0000H     | Установить время до следующей замены (производителем не регламентируется)  |

«ПАРАЛ ПОЛЬЗ: ХХХХ»


|                |             |
|----------------|-------------|
| ПАРОЛЬ ПОЛЬЗОВ | ****        |
| ****           | Не изменять |

«ЯЗЫК: RU»

|            |             |
|------------|-------------|
| ЯЗЫК ВЫБОР | Выбор языка |
| РУССКИЙ    | РУССКИЙ     |

Если в текущем меню не производится никаких действий 60 секунд, контроллер автоматически вернется в главное меню.

## 4.1.3 Индикация ошибок

Сообщения о неисправностях, в результате которых компрессор немедленно выключается, либо изначально не запускается. При этом загорается индикатор ● , Все ошибки при аварийном выключении после устранения необходимо сбросить (нажмите кнопку «RETURN» и удерживайте).

### Тревога (компрессор продолжает работу)

|                               |                                                                                                            |
|-------------------------------|------------------------------------------------------------------------------------------------------------|
| ТРЕВОГА:<br>МАСЛ ФИЛ. ПРЕВЫШ  | Срок службы масляного фильтра превышен, требуется замена.                                                  |
| ТРЕВОГА: СЕПАРАТОР<br>ПРЕВЫШ  | Срок службы сепаратора превышен, требуется замена.                                                         |
| ТРЕВОГА: ВОЗД. ФИЛ.<br>ПРЕВЫШ | Срок службы воздушного фильтра превышен, требуется замена.                                                 |
| ТРЕВОГА: МАСЛО ЗАМ<br>ПРЕВЫШ  | Срок службы масла превышен, требуется замена.                                                              |
| ТРЕВОГА:<br>Т 105 °С          | Температура масла выше разрешённой. Если тревога длится > 3сек произойдёт аварийная остановка компрессора. |

### Авария (немедленная остановка компрессора и запрет запуска)

В контроллере сохраняется 5 последних ошибок.

|                                 |                                                                                                                               |
|---------------------------------|-------------------------------------------------------------------------------------------------------------------------------|
| АВАР:<br>НИЗК НАРУЖ ТЕМП        | Температура окружающей среды ниже разрешённой. Запрет пуска компрессора.                                                      |
| АВАР:<br>Т 112 °С               | Температура масла выше допустимой. Если температура продолжает расти, через 3сек. произойдёт аварийная остановка компрессора. |
| АВАР:<br>ДАТЧ ТЕМП НЕИСПР       | Неисправность датчика температуры, обрыв провода.                                                                             |
| АВАР:<br>ВЕНТ ПЕРЕГР<br>000.0A  | Короткое замыкание двигателя M2 или контакторов.                                                                              |
| АВАР:<br>ВЕНТ К.З.              | Короткое замыкание двигателя M2 или контакторов.                                                                              |
| АВАР:<br>ДАВЛ ВЫСОК<br>008.2BAR | Рабочее давление выше разрешённого                                                                                            |

|                              |                                                                                                                                                                                                                                                                   |
|------------------------------|-------------------------------------------------------------------------------------------------------------------------------------------------------------------------------------------------------------------------------------------------------------------|
| АВАР:<br>ДАТЧ ДАВЛ НЕИСПР    | Неисправность датчика давления, обрыв провода, неправильная полярность.                                                                                                                                                                                           |
| АВАР:<br>ОШИБ ФАЗ №...       | Неправильное чередование фаз и или отсутствие фазы.                                                                                                                                                                                                               |
| АВАР:<br>ВЕНТ ФАЗА<br>000.0A | Дисбаланс фаз двигателя вентилятора M2 выше допустимого.                                                                                                                                                                                                          |
| АВАР:<br>КНОПКА АВАР ОСТ     | Компрессор не запускается. Нажата кнопка аварийного останова                                                                                                                                                                                                      |
| АВАР:<br>НЕПР ПРИМ           | Ошибка пользователя. Некорректно введенные данные.                                                                                                                                                                                                                |
| АВАР:<br>ВНЕШ ОШИБ           | Внешняя ошибка.                                                                                                                                                                                                                                                   |
| АВАР:<br>ДОЛГ ТРЕВ           | Истечение времени на проведение регламентных работ. Производителем не регламентируется.                                                                                                                                                                           |
| АВАР:<br>VSD ОШИБКА          | VSD ошибка, это авария инвертора. Чтобы сброс эту ошибку, надо устранить ошибку (авария) в инверторе, и после сбросить ошибку(авария) в контроллере. Если инвертор работает без ошибок, включится зеленая лампочка внутри электрошкафа (инвертор готов к работе). |

### Ошибки преобразователя частоты.

Для идентификации ошибок преобразователя частоты (инвертора) на его дисплее считайте код высветившейся ошибки. Ниже представлен список возможных неисправностей.

| Код    | Тип ошибки                                      |
|--------|-------------------------------------------------|
| Err.1  | Общая неисправность инвертора.                  |
| Err.2  | Превышение значения тока при нагрузке.          |
| Err.3  | Превышение значения тока при разгрузке.         |
| Err.9  | Падение значения напряжения.                    |
| Err.10 | Перегрузка компрессора при запуске.             |
| Err.11 | Перегрузка компрессора при штатной работе.      |
| Err.12 | Отсутствие одной или нескольких фаз по входу.   |
| Err.13 | Отсутствие одной или нескольких фаз по выходу.  |
| Err.14 | Перегрев силового модуля инвертора.             |
| Err.16 | Сбой в передаче данных по протоколу MODBUS RTU. |
| Err.18 | Неисправность в измерении тока.                 |
| Err.23 | Короткое замыкание на землю.                    |
| Err.40 | Циклическое превышение значения тока.           |
| Err.51 | Ошибка в настройке параметров.                  |

При возникновении ошибки сбросьте её на инверторе, затем сбросьте её на основном контроллере компрессора. Запустите компрессор. Если ошибка продолжает высветываться, и/или компрессор не запускается, обратитесь в сервисную службу для устранения неисправности.

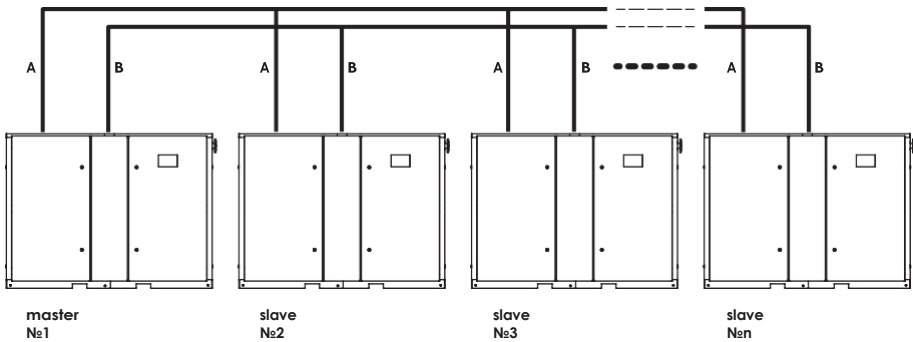


Дальнейшая работа без устранения причины возникновения аварийного сообщения запрещена!

## 4.1.4 Управление режимом блока и работа в сети

### Управление режимом группа(GRP-режим).

Контроллер позволяет объединить несколько компрессоров в группу с помощью порта RS-485. В группу можно подключать до 16 компрессоров. Компрессор с сетевым адресом «0001»-ведущий, другие ведомые.



### Настройка режима (GRP-режим):

- 1) смотри «РЕЖИМ РАБОТЫ».
- 2) смотри «SEQ ПАРАМ УСТ».

После настройки этих данных, перезапустите контроллер для обновления. Контроль активности сети можно проследить в меню «основные параметры», приведённой ниже. Если компрессор «ведомый»:

|          |                                                 |
|----------|-------------------------------------------------|
| RX : -/* | Передача/прием(*-означает есть прием/передача). |
| TX : -/* |                                                 |

Если компрессор «ведущий», то:

|                                                        |                                                 |
|--------------------------------------------------------|-------------------------------------------------|
| 1 -/*-2-3-4<br>-5-6-7-8-<br>9-10-11-12-<br>13-14-15-16 | Передача/прием(*-означает есть прием/передача). |
|--------------------------------------------------------|-------------------------------------------------|

## Удалённое управление и мониторинг работы компрессора с помощью MODBUS RTU(порт RS-485).

Контроллер поддерживает протокол MODBUS RTU и может служить в качестве ведомого устройства при подключении к другим устройствам. Контроллер поддерживает команду 03, 06, 16 MODBUS. Скорость передачи данных: 9600 бит / с, 1 стартовый бит, 8 бит данных, 1 стоповый бит и четность.


Адрес регистра MODBUS см. «Руководстве по связи MODBUS».

Дистанционное вкл/выкл (Remote on/off) компрессора. На контроллерах V-LOG , I-LOG надо выбрать в «РЕЖИМ РАБОТЫ»-УПРАВ /ЛОКАЛ, далее см. принципиальную схему для V-LOG или соответственно I-LOG. Важно: кнопка без фиксации.

## 4.2 Пуск компрессора



Для экстренной остановки компрессора нажмите кнопку аварийного отключения на панели управления контроллера. После устранения неисправности разблокируйте кнопку, вытянув её на себя. После аварийного отключения, компрессор может быть повторно запущен не раньше, чем через 10 минут.

Нажмите кнопку  "Остановка" на панели управления контроллера.


Компрессор выключится. LCD дисплей потухнет.

Закройте выпускной шаровый кран. Отключите от сети питания.

## 4.3 Выключение компрессора



Для экстренной остановки компрессора нажмите кнопку аварийного отключения на панели управления контроллера. После устранения неисправности разблокируйте кнопку, вытянув её на себя. После аварийного отключения, компрессор может быть повторно запущен не раньше, чем через 10 минут.

Нажмите кнопку  "Остановка" на панели управления контроллера.

Компрессор выключится. LCD дисплей потухнет.

Закройте выпускной шаровый кран. Отключите от сети питания.



# 5. Настройка и сервисное обслуживание

## 5.1 График технического обслуживания

|                             | Ежедневно           | Ежемесячно | Ежегодно | Интервал в моточасах |        |        |        |
|-----------------------------|---------------------|------------|----------|----------------------|--------|--------|--------|
|                             |                     |            |          | ТО-1                 | ТО-2   | ТО-3   | ТО-2   |
|                             |                     |            |          | 500                  | 2000   | 4000   | 6000   |
| Уровень масла               | Проверка/<br>долить |            |          |                      |        |        |        |
| Масло компрессора           |                     |            |          | Замена               | Замена | Замена | Замена |
| Фильтр воздушный            |                     | Очистка    |          |                      | Замена | Замена | Замена |
| Фильтр масляный             |                     |            |          | Замена               | Замена | Замена | Замена |
| Сепарационный элемент       |                     |            |          |                      |        | Замена |        |
| Теплообменник               |                     | Очистка    |          |                      |        |        |        |
| Подшипники электродвигателя |                     |            | Смазка   |                      |        |        |        |
| Всасывающий клапан          |                     |            | Проверка |                      |        |        |        |
| Клапан мин. давления        |                     |            | Проверка |                      |        |        |        |
| Клапан предохранительный    |                     |            | Проверка |                      |        |        |        |

После 6000 часов работы, плановое техническое обслуживание должно включать в себя чередование ТО-2 или ТО-3 через каждые 2000 моточасов или один раз в год, в зависимости от того, что наступит быстрее. Проведение ежедневного, еженедельного, ежемесячного и ежегодного контроля не отменяется проведённым техническим обслуживанием.

## 5.2 Проверка уровня масла

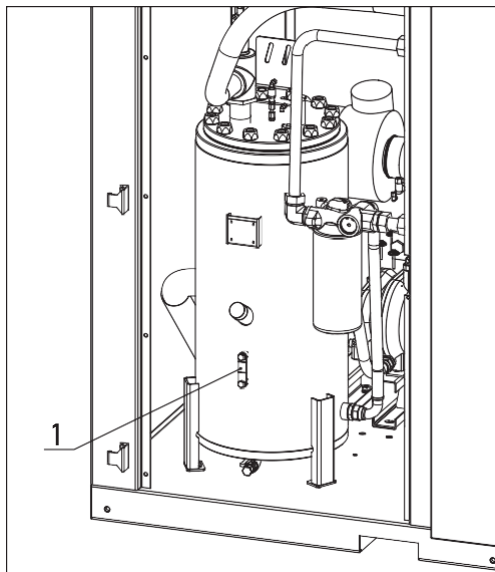


Рис. 5.2 Проверка уровня масла

Проверка уровня масла является ежедневной процедурой. Перед проверкой выключите компрессор. Уровень масла проверяется через смотровой глазок (1), расположенный непосредственно на баке-сепараторе. Масло должно визуальнo просматриваться в глазке. Если уровень масла ниже и его не видно, долить до середины глазка. Если эксплуатация проходит в загрязнённых или пыльных условиях, и возникают трудности рассмотреть уровень масла через окно в панели, допускается снять переднюю панель и провести проверку непосредственно на баке-сепараторе. Запрещается использовать при проверке уровня масла источники света с открытым пламенем.

## 5.3 Замена масла и масляного фильтра

Перед заменой масла выключите компрессор и отключите его от питания.

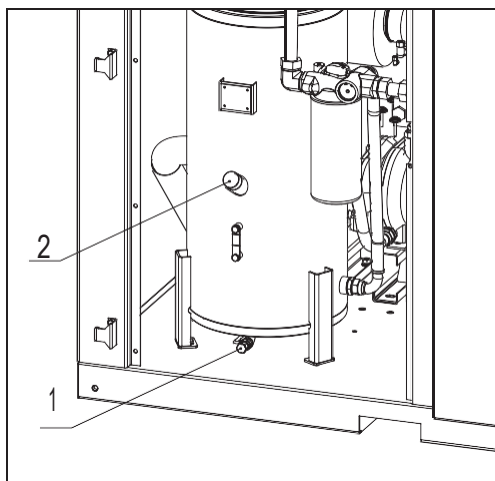


Рис. 5.3.1 Замена масла

Снимите левую панель и открутите пробку заливной горловины (2) на один оборот, чтобы стравить оставшееся давление, если таковое присутствует. Открутите пробку (2) и пробку сливного крана (1). Откройте сливной кран и слейте использованное масло в специально подготовленный резервуар подходящего объёма. Залейте через горловину новое масло до середины смотрового глазка. Установите обратно пробки (1) и (2)

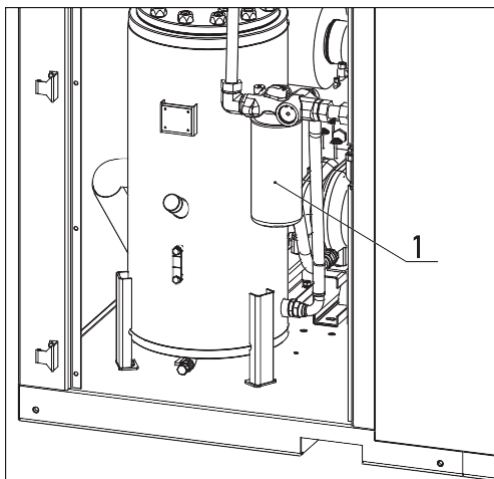


Рис. 5.3.2 Замена масляного фильтра.

Снимите левую панель. Аккуратно открутите масляный фильтр (1) (допускается использовать специальный ключ-съёмник) и слейте использованное масло из фильтра в специально подготовленный резервуар. Обязательно смажьте свежим маслом уплотняющую прокладку на новом фильтре. Прикрутите фильтр на место. Прикручивайте фильтр только вручную. Запустите компрессор и дайте поработать в холостом режиме несколько минут, пока свежее масло не разойдётся по системе. Выключите компрессор и проверьте уровень масла. Масло должно быть по середине смотрового глазка. При необходимости – долить.

## 5.4 Замена воздушного фильтра

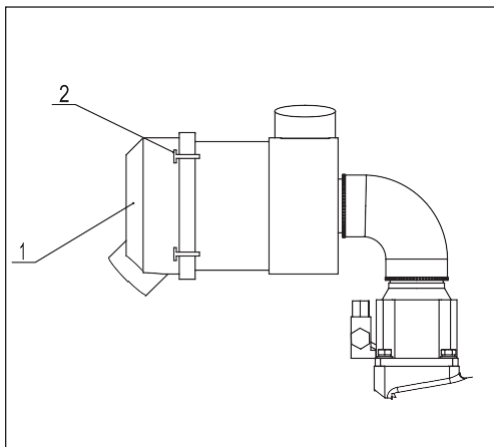


Рис. 5.4. Замена воздушного фильтра.

Перед заменой фильтра выключите компрессор и отключите его от питания.

Воздушный фильтр (1) крепится на всасывающем клапане. Открутите винт крепёжного хомута (2). Снимите старый фильтр. Установите на его место новый фильтр. Затяните хомут.

## 5.5 Замена сепарационного элемента

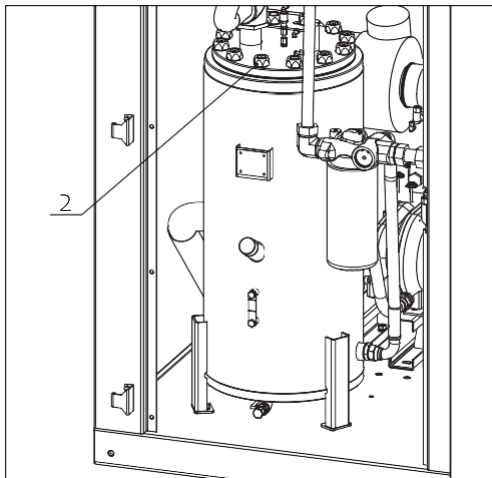


Рис. 5.5 Замена сепарационного элемента

Сепарационный элемент расположен непосредственно в баке-сепараторе. Для его замены снимите левую панель. Открутите крепёжные болты поз. (2) и осторожно снимите верхнюю крышку бака. Допускается отсоединить подходящие к баку рукава, если они создают трудности при замене. Удалите использованный сепаратор и установите на его место новый. Верните на место верхнюю крышку, закрутите болты и подсоедините обратно рукава.

## 5.6 Очистка радиатора

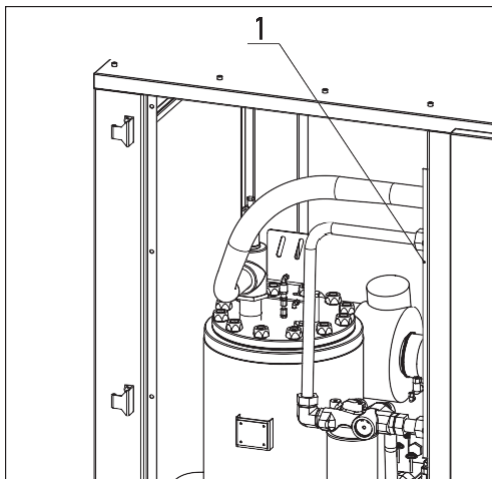


Рис. 5.6. Очистка радиатора.

Снимите левую панель. Старайтесь регулярно чистить радиатор для поддержания эффективного охлаждения. Удалите любые частицы грязи из радиатора при помощи волоконной щетки; затем направьте на радиатор струю сжатого воздуха, угол между струей воздуха и плоскостью радиатора должен быть примерно 90°.

## 5.7 Проверка всасывающего клапана

Для проведения проверки всасывающего клапана, снимите воздушный фильтр как показано в пункте 5.4. Далее откройте рукой шиберную заслонку, убедитесь в плавности ее хода и возможности полного открытия. В случае заедания или неполного хода заслонки замените клапан на новый.

## 5.8 Обслуживание электродвигателя

В процессе эксплуатации компрессора в подшипники двигателя необходимо добавлять свежую пластичную смазку, разработанную для применения в подшипниках качения. Смазку следует добавлять с помощью специального шприца для пластических смазок через масленки, расположенные в крышках подшипника двигателя. Объем добавляемой смазки можно рассчитать по формуле:

$$D^2 \text{ вала двигателя (мм)} \times 0,005 = M \text{ (масса смазки)(г).}$$

Не переполняйте смазкой подшипники сверх нормы, т.к. во время работы двигателя вся лишняя смазка будет выдавлена из подшипника внутрь двигателя.

# 6. Устранение неисправностей

## 6.1 Возможные неисправности

| Проблема                                                                           | Возможная неисправность                                                                  | Корректирующие действия                                                            |
|------------------------------------------------------------------------------------|------------------------------------------------------------------------------------------|------------------------------------------------------------------------------------|
| Компрессор запускается с задержкой. Электродвигатель медленно набирает скорость.   | Ремни перетянуты.                                                                        | Обеспечьте ремням соответствующие натяжение. Смотри п. 5.3.                        |
|                                                                                    | Густое масло.                                                                            | Замените масло                                                                     |
| Присутствует свист во время работы компрессора.                                    | Проскальзывает ремень.                                                                   | Обеспечьте ремням соответствующие натяжение. Смотри п. 5.3.                        |
| Компрессор не запускается. На блоке управления индикация температурной блокировки. | Температура окружающего воздуха не соответствует необходимой (ниже +5°C или выше +40°C). | Обеспечьте необходимую температуру воздуха в помещении, где установлен компрессор. |
| Компрессор перегревается.                                                          | Недостаточная вентиляция помещения, в котором установлен компрессор.                     | Увеличьте циркуляцию воздуха.                                                      |
|                                                                                    | Слишком низкий уровень                                                                   | Долейте масло (п. 5.2).                                                            |
|                                                                                    | Загрязнен радиатор.                                                                      | Продуйте радиатор сжатым воздухом (п. 5.8).                                        |
| Срабатывает предохранительный клапан.                                              | Загрязнён сепаратор.                                                                     | Проведите ТО с заменой сепаратора.                                                 |
|                                                                                    | Слишком высокое давление (более 13 бар).                                                 | Установите рабочее давление ниже 13 бар.                                           |

# 7. Хранение и утилизация

## 7.1 Хранение

Хранение компрессора допускается при температуре от  $-20^{\circ}$  до  $+35^{\circ}$  C при относительной влажности воздуха не более 85%.

## 7.2 . Утилизация

**Утилизация технологического конденсата.** Технологический конденсат содержит в себе масло. Сливайте образующийся во время работы конденсат в специальные сборщики. Сменные элементы сборщика технологического конденсата утилизируйте как промасленный обтирочный материал.

**Утилизация масляных фильтров, сепараторов.** Не допускайте попадание остатков масла на почву, в канализацию и водоемы. Сдавайте масляные фильтры и сепараторы на утилизацию в герметичной таре.

**Утилизация воздушных фильтров.** Воздушные фильтры сдавайте на утилизацию отдельно от промасленных отходов.

**Утилизация отработанного масла.** Утилизацию отработанного масла производителю герметичной таре. Не допускайте попадания в масло атмосферных осадков.



